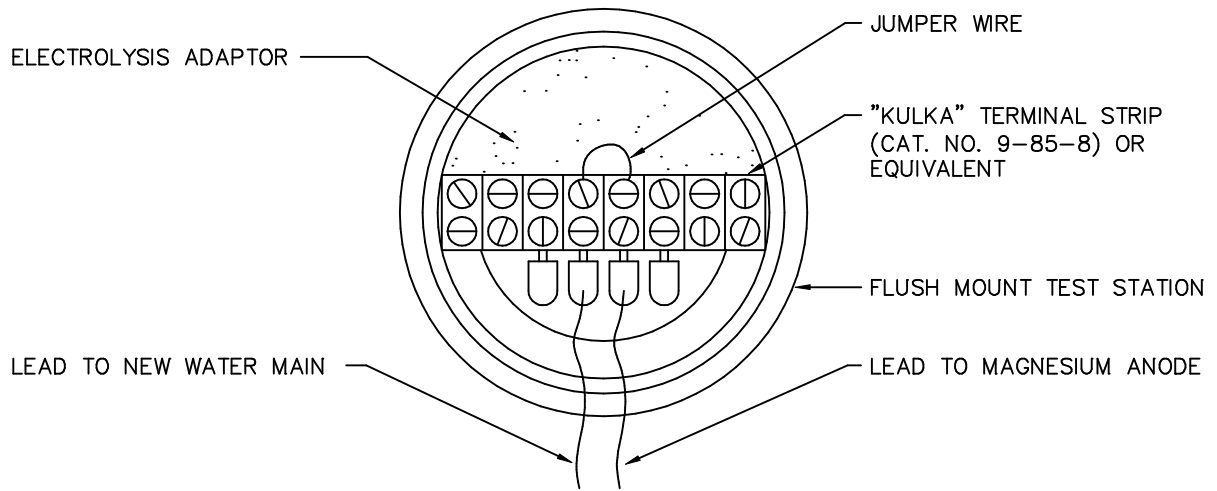


FLUSH MOUNT TEST STATION INSTALLATION



FLUSH MOUNT TEST STATION TERMINAL WIRING

 METRIC
ALL DIMENSIONS SHOWN HERE ARE IN
MILLIMETRES UNLESS OTHERWISE NOTED

APPROVED BY

Tom Denes
TOM DENES, P. ENG.
EXECUTIVE DIRECTOR TECHNICAL SERVICES

SCALE

N.T.S.

DATE: JUNE, 2001

REVISED:

STANDARD No.

T-1106.07