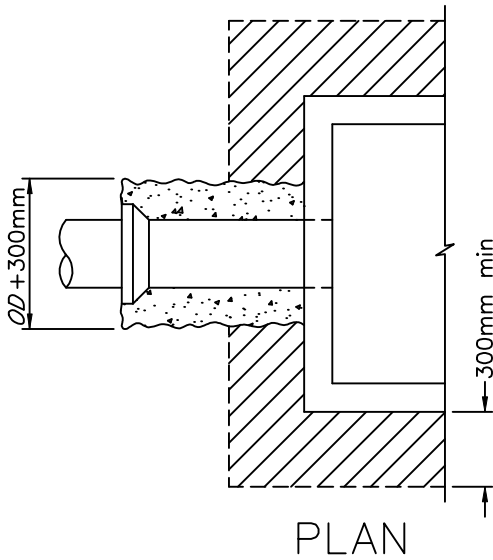
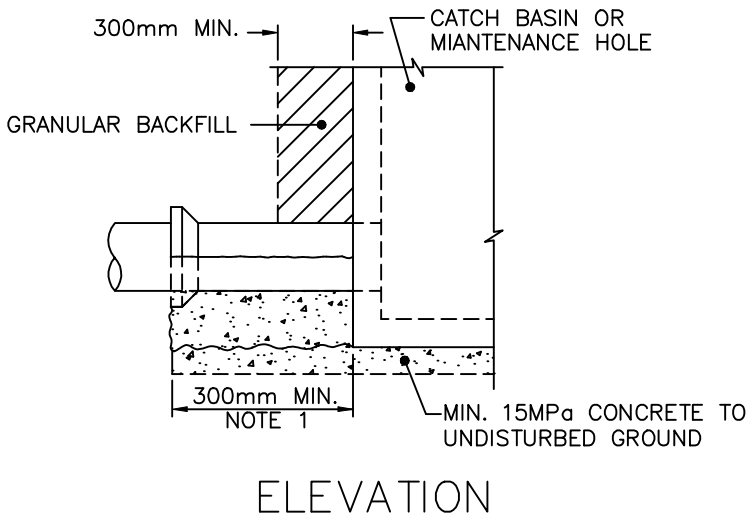
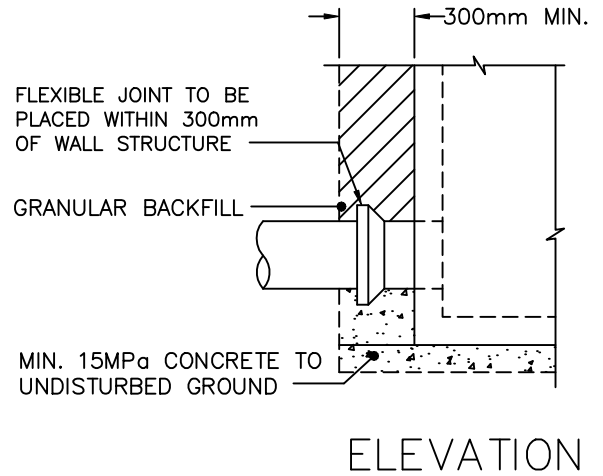


CONCRETE CRADLE  
RIGID PIPE



FLEXIBLE JOINT  
RIGID AND FLEXIBLE PIPE



FLEXIBLE, WATERTIGHT CONNECTOR  
RIGID AND FLEXIBLE PIPE

FOR INSTALLATION OF THESE CONNECTORS  
REFER TO MANUFACTURER'S INSTRUCTIONS.

A FULL LENGTH OF PIPE MAY BE USED  
IN CONJUNCTION WITH A FLEXIBLE,  
WATERTIGHT CONNECTOR.

NOTES:

- 1 PIPE TO BE SUPPORTED WITH MINIMUM 15MP<sub>a</sub> CONCRETE TO THE FIRST PIPE JOINT.

METRIC  
ALL DIMENSIONS SHOWN HERE ARE IN  
MILLIMETRES UNLESS OTHERWISE NOTED

APPROVED BY

*Tom Denes*  
TOM DENES, P. ENG.  
EXECUTIVE DIRECTOR TECHNICAL SERVICES

SCALE

N.T.S.

DATE: JUNE, 2001

REVISED:

STANDARD No.

T-708.020