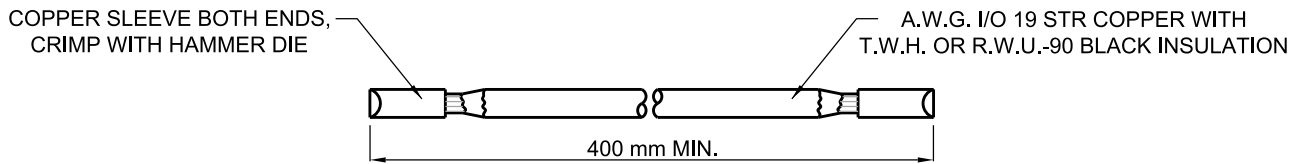
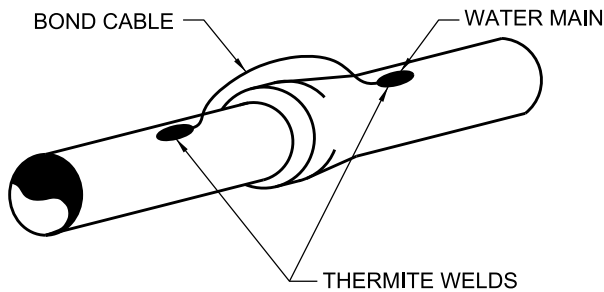


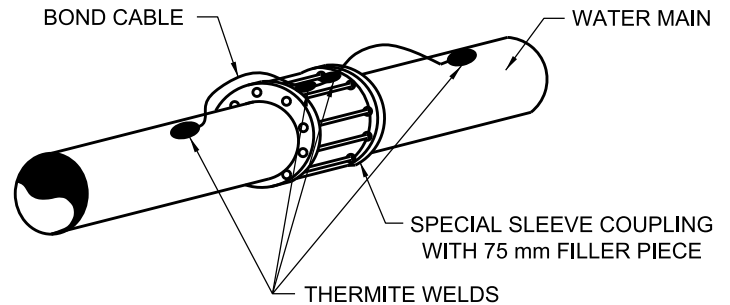
VALVE BONDING



BOND CABLE



PIPE JOINT BONDING



SLEEVE COUPLING BONDING

All dimensions are in millimetres unless otherwise shown.



ENGINEERING AND CONSTRUCTION SERVICES STANDARD DRAWING

REV 2

APR 2013

ELECTRICAL BONDING OF
METALLIC WATER MAINS

T-1106.03-1

NTS

SHEET 1