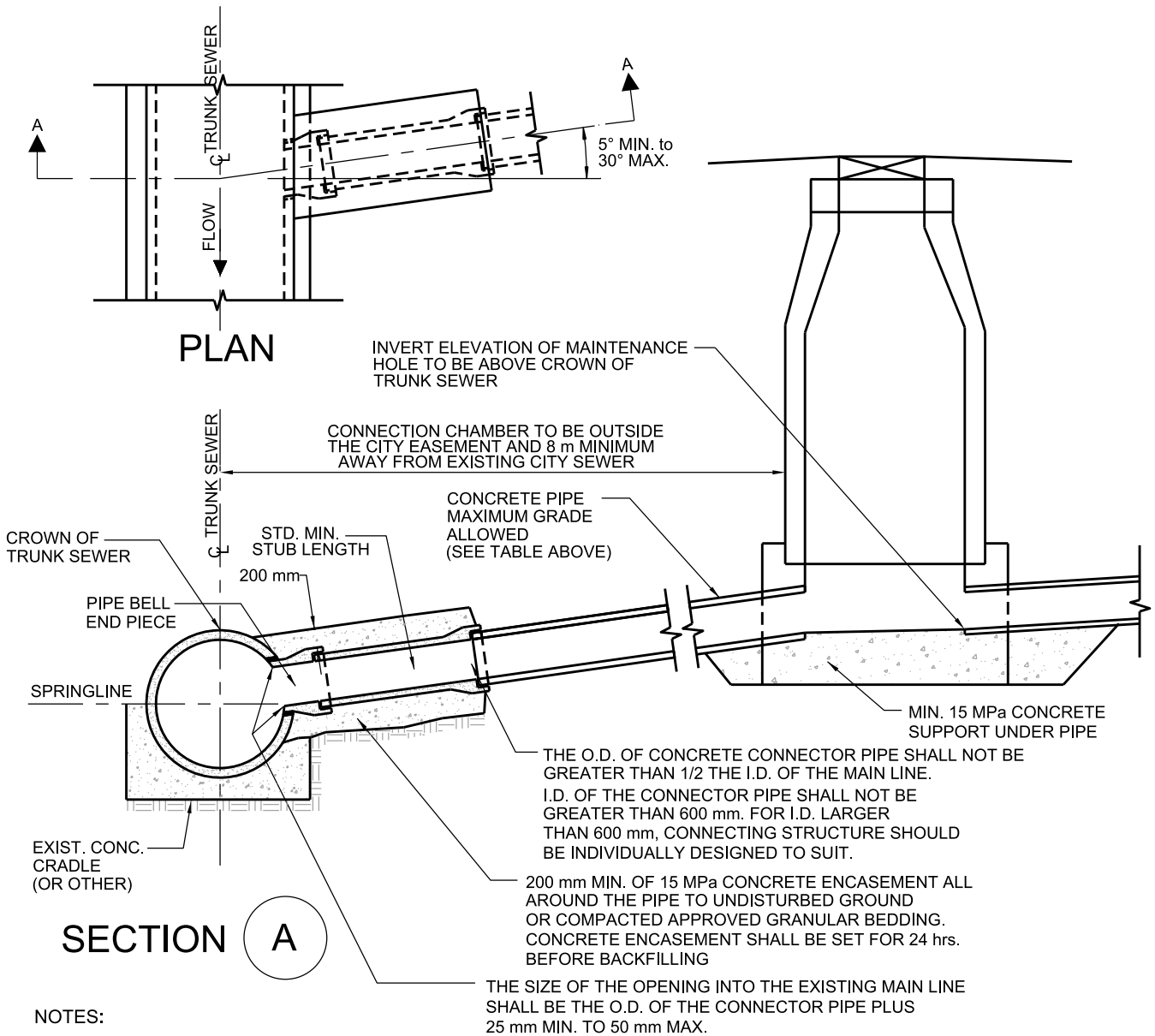


CONNECTING SEWER	THIS STANDARD DRAWING									INDIVIDUALLY DESIGNED CONNECTION													
DIA. (mm)	150	200	250	300	375	450	525	600	675	750	825	900	975	1050	1200	1350	1500	1650	1800	1950	2100	2250	2400
MAX. GRADE %	1.50	1.40	1.20	1.10	1.00	0.98	0.94	0.88	0.80	0.78	0.76	0.76	0.76	0.74	0.70	0.68	0.64	0.60	0.58	0.56	0.54	0.52	0.52
STANDARD MIN. STUB LENGTH	1.10	1.10	1.10	2.29	2.29	2.29	2.29	2.29	2.29	2.29	2.29	2.29	2.29	2.40	2.40	2.40	2.40	2.40	2.40	2.40	2.40	2.40	2.40



NOTES:

1. WHERE A CITY SEWER IS LESS THAN 675 mm I.D., ANY CONNECTION TO THE CITY SEWER MUST BE MADE AT AN EXISTING MAINTENANCE HOLE OR TO A NEW MAINTENANCE HOLE TO BE CONSTRUCTED ON THE CITY SEWER.
2. INSPECTOR SHALL BE PRESENT DURING BREAK-IN TO CONFIRM THE ALIGNMENT OF CONNECTING SEWER.

PIPE SHALL BE CLEANED AND COATED WITH A BONDING AGENT AND FINISHED FLUSH TO INSIDE SURFACE OF TRUNK SEWER AND INVERT TO COINCIDE WITH SEWER SPRINGLINE ELEVATION. CENTER PIPE IN OPENING AND FILL ALL AROUND WITH UNSHRINKABLE GROUT.

All dimensions are in millimetres unless otherwise shown.



ENGINEERING AND CONSTRUCTION SERVICES STANDARD DRAWING

REV 1 APR 2013

TYPICAL CONNECTION TO CITY TRUNK SEWER
675 mm I.D. OR LARGER FROM
CONCRETE TO CONCRETE

T-1006.01-1

NTS SHEET 1