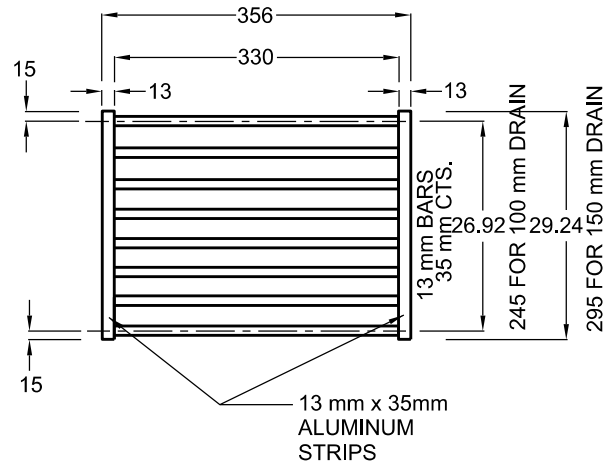
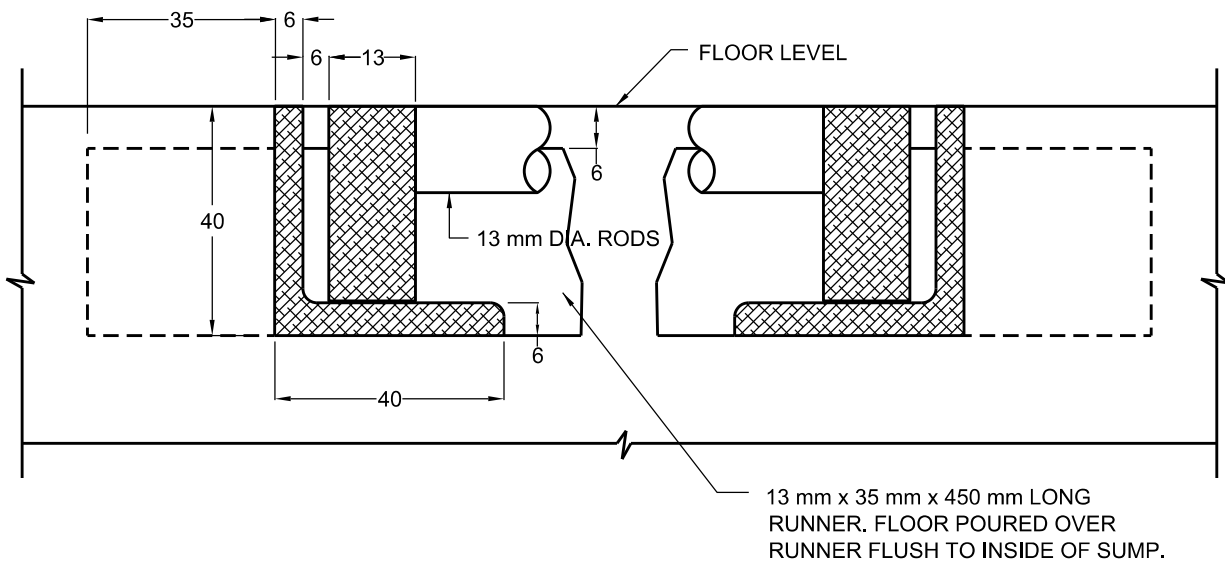


FRAME



GRATING



NOTES: FRAME AND GRATING TO BE MADE OF ALUMINUM.

SECTION THROUGH FRAME AND GRATING

All dimensions are in millimetres unless otherwise shown.



ENGINEERING & CONSTRUCTION SERVICES STANDARD DRAWING

SUMP FRAME AND GRATING DETAILS

REV 2

SEP 2017

T-1102.01-6

NTS

SHEET 1