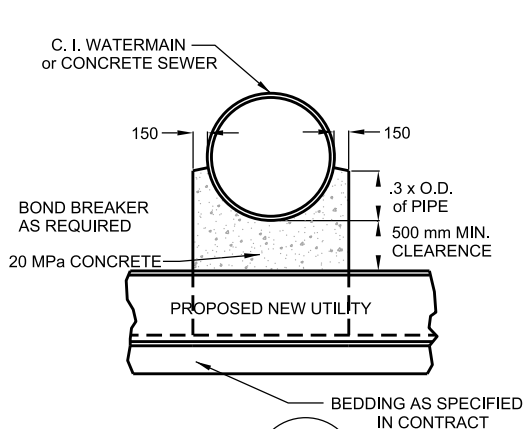


## SECTION B

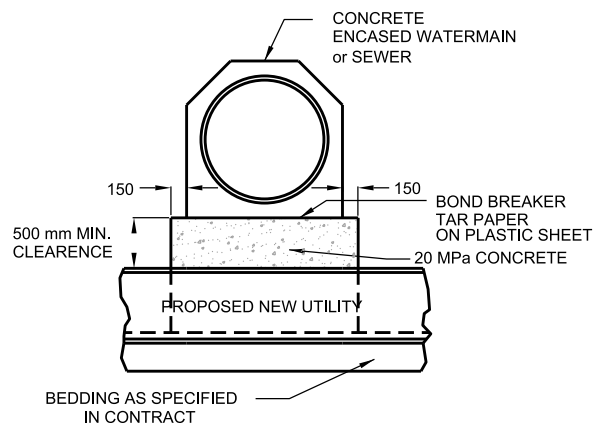
### NOTES:

1. CONCRETE ENCASED STEEL MAINS SHALL BE SUPPORTED WITH CONCRETE TO THE UNDERSIDE OF MAIN. TAR PAPER IS TO BE USED BETWEEN THE TWO CONCRETE SURFACES.
2. WATERMAINS SHALL HAVE A BEARING BLOCK OR PLATE OF MIN. DIMENSION OF 75 mm x 200 mm WEDGES BETWEEN THE PIPE OR CONDUIT AND THE CONCRETE SUPPORT.

## SECTION A



## SECTION A



## SECTION A

All dimensions are in millimetres unless otherwise shown.



ENGINEERING AND CONSTRUCTION SERVICES STANDARD DRAWING

REV 1

APR 2013

TYPICAL DETAIL FOR SUPPORTING WATER AND SEWER PIPE  
LARGER THAN 300 mm DIAMETER  
OVER NEW WATERMAIN OR SEWER

T-1007.01-4

NTS

SHEET 1