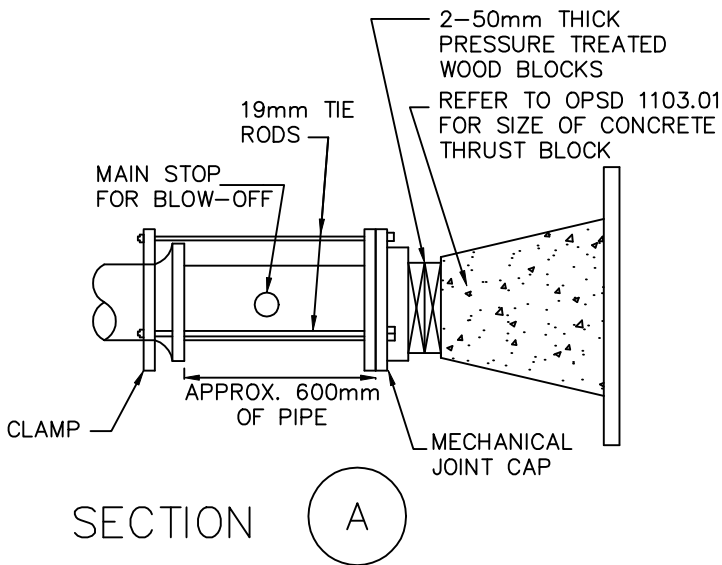


SECTION B



SECTION A

METRIC
ALL DIMENSIONS SHOWN HERE ARE IN MILLIMETRES UNLESS OTHERWISE NOTED

APPROVED BY *[Signature]*
TOM DENES, P. ENG.
EXECUTIVE DIRECTOR TECHNICAL SERVICES

SCALE N.T.S.



25mm BLOW - OFF ASSEMBLY DETAIL

DATE: JUNE, 2001

REVISED:

STANDARD No. T-1104.03