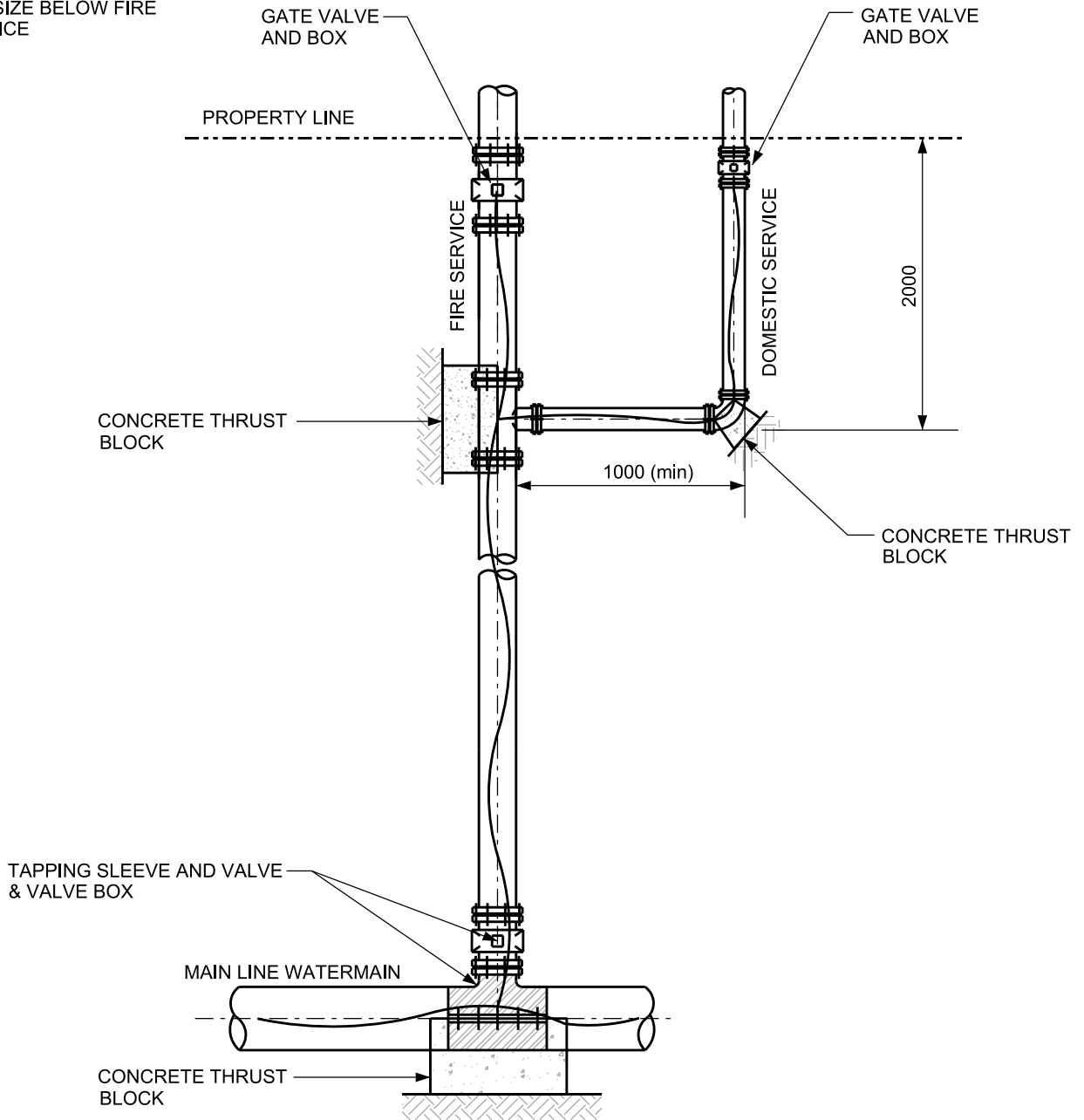


DOMESTIC OFF FIRELINE

FIRE SERVICE SIZE (mm)	MAXIMUM DOMESTIC SIZE (mm)
200	150
150	100
100	50

NOTE 1: DOMESTIC SERVICE TO BE ONE SIZE BELOW FIRE SERVICE



NOTES :

1. WHERE NO METALLIC PIPE IS USED, A RWU90, 10 GAUGE COPPER TRACER WIRE TO BE INSTALLED WITH THE PIPE AND BE BROUGHT TO THE SURFACE AT ALL VALVE BOX BOXES.

All dimensions are in millimetres unless otherwise shown.



ENGINEERING AND CONSTRUCTION SERVICES STANDARD DRAWING

REV 0

APR 2013

COMBINE FIRE AND DOMESTIC WATER CONNECTION

T-1104.02-3

NTS

SHEET 1