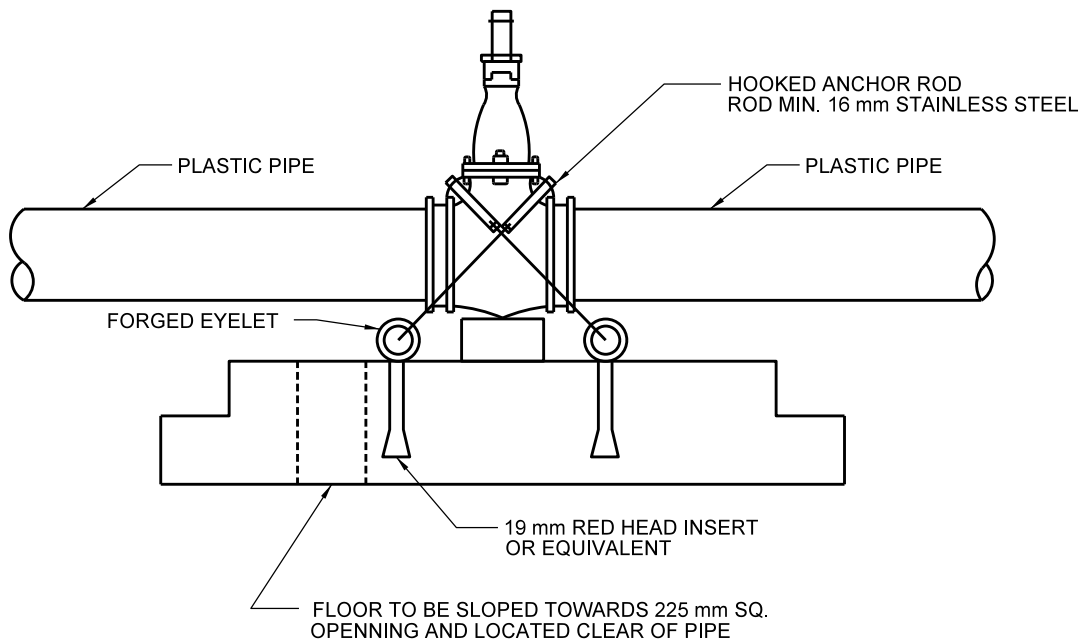
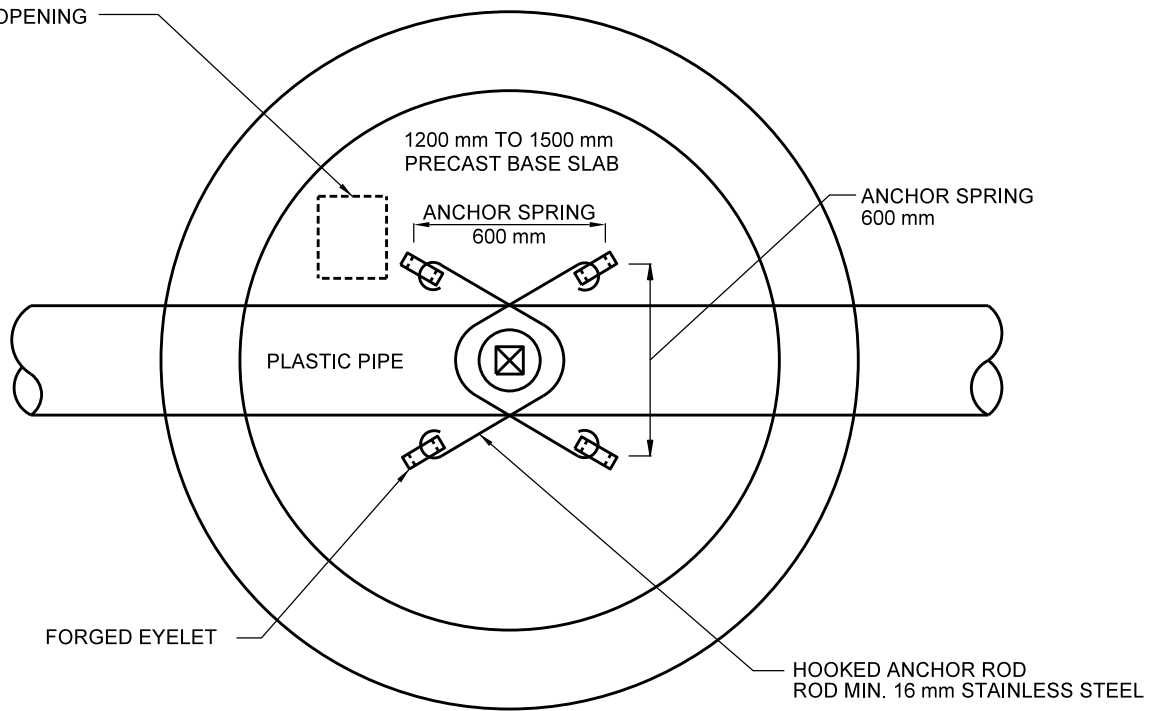


225 mm SQUARE OPENING



All dimensions are in millimetres unless otherwise shown.



ENGINEERING AND CONSTRUCTION SERVICES STANDARD DRAWING

REV 1

APR 2013

HOOKED ANCHOR RODS AND PRECAST
VALVE CHAMBER BASE

T-1100.010-2

NTS

SHEET 1