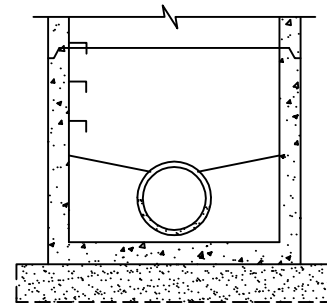
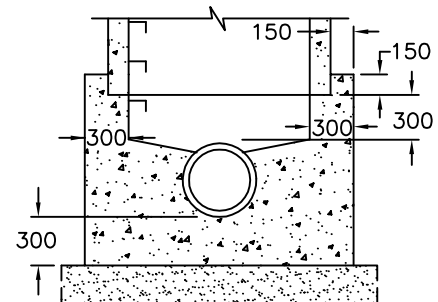


ALTERNATIVES

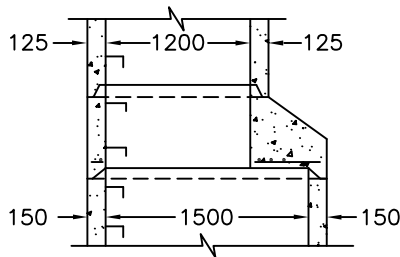
A PRECAST MONOLITHIC BASE



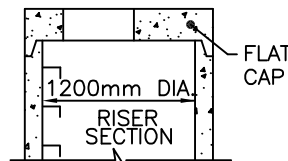
B CAST IN PLACE BASE



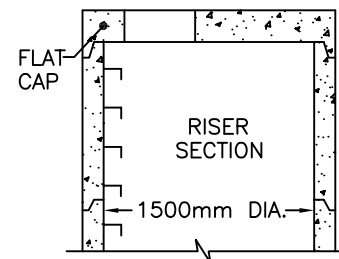
C TAPERED TRANSITION SLAB



D 1200mm PRECAST FLAT CAP



E 1500mm PRECAST FLAT CAP



METRIC
ALL DIMENSIONS SHOWN HERE ARE IN MILLIMETRES UNLESS OTHERWISE NOTED

NOTES:

1. FOR SUMP DETAIL SEE T-701.010.
2. 150mm OF COMPACTED 200mm CRUSHED STONE OR UNSHRINKABLE FILL TO BE PLACED ALL AROUND THE MAINTENANCE HOLE.
3. PRECAST CONCRETE COMPONENTS ACCORDING TO OPSD-701.040, OPSD-703.011 AND OPSD-703.021.
4. STRUCTURES EXCEEDING 5.0m IN DEPTH TO INCLUDE SAFETY PLATFORM ACCORDING TO OPSD-404.020.
5. PIPE SUPPORT ACCORDING TO T-708.020.

6. FOR BENCHING DETAILS, MAXIMUM PIPE HOLE DIAMETERS AND FLOW CONFIGURATIONS, SEE T-701.021.
7. PARGING SHALL BE 1:3 MORTAR MIX.
8. WATERPROOFING OVER PARGING TO BE TWO HEAVY COATS OF BITUMEN.
9. WHERE PIPES JOIN AT MANHOLE, JOINTS ARE TO BE WATERTIGHT WITH THE APPROVED SEAL.
10. ALL DIMENSIONS ARE NOMINAL.
11. FIRST STEP TO BE 75mm TO 300mm BELOW FRAME. LAST STEP TO BE 300mm ABOVE BENCHING OR 600mm ABOVE INVERT IF NO BENCHING.



TECHNICAL SERVICES
Engineering Services - Works Facilities & Structures

SCALE:	N.T.S.	PRECAST MAINTENANCE HOLE 1500mm DIAMETER	DRAWING NUMBER:
DATE:	MARCH 2008		T-701.011
DRAFTING:	V. DIDIANO		SHEET: 1