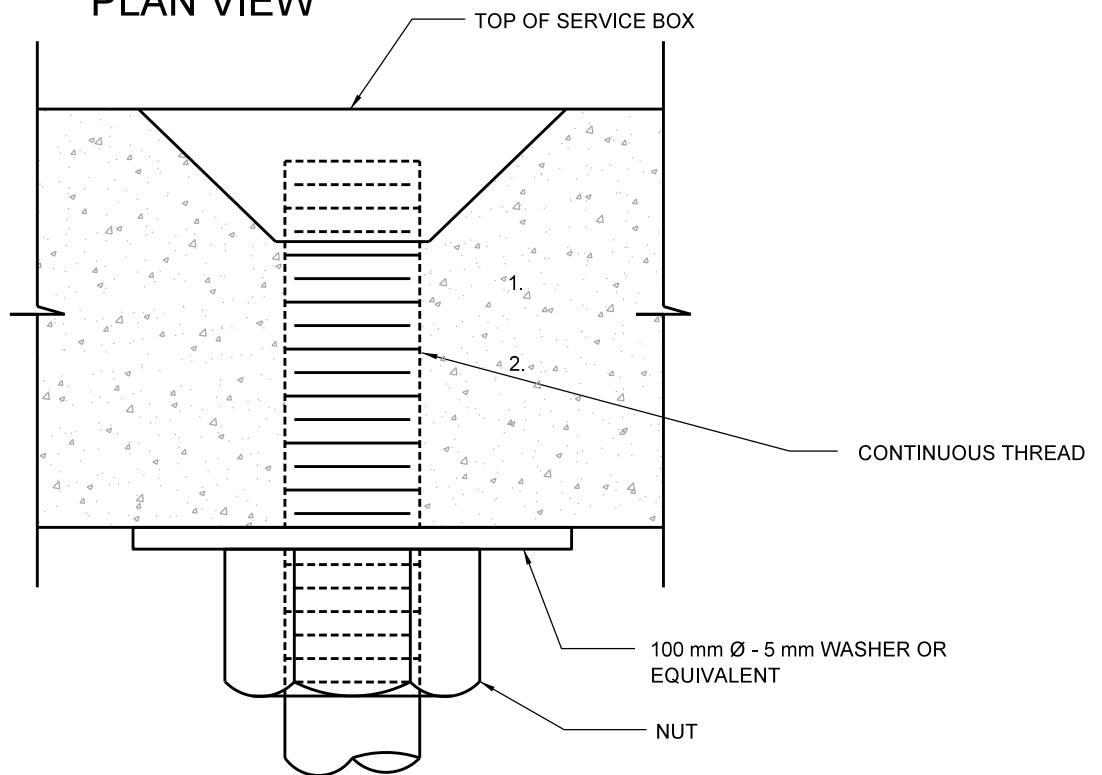


PLAN VIEW



ELEVATION DETAIL '1'

NOTES:

1. THIS STANDARD IS NOT AN OPTION, EACH LOCATION MUST OBTAIN ENGINEER'S APPROVAL.
2. THE WATER SERVICE BOX MUST BE PERFECTLY LEVEL WITH SIDEWALK GRADE.

All dimensions are in millimetres unless otherwise shown.



ENGINEERING AND CONSTRUCTION SERVICES STANDARD DRAWING

REV 1

APR 2013

SERVICE BOX IN SIDEWALK
DOMESTIC 19 mm AND 25 mm SERVICES

T-1101.02-3

NTS

SHEET 1