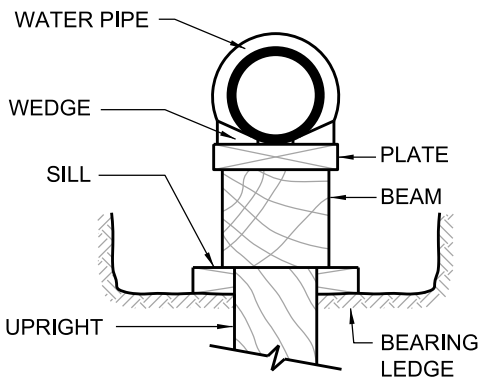


TRENCH SECTION



SECTION A

NOTES:

1. TIMBER TO BE LEFT IN PLACE WHEN BACKFILLING THE TRENCH.
2. GRADE ON THE UTILITY TO BE MAINTAINED ACROSS THE WIDTH OF THE EXCAVATION.
3. ALL TIMBER MEMBERS TO BE NAILED TOGETHER.
4. 50 mm x 150 mm DIAGONAL BRACING TO BE USED WHEN THE DEPTH OF THE UPRIGHTS EXCEEDS 2400 mm OR WHEN THE UPRIGHTS ARE NOT SUPPORTED BY THE TRENCH WALL.
5. TRENCH WALL NOT TO BE MORE THAN 1800 mm BEHIND THE UPRIGHTS.
6. THIS STANDARD IS NOT APPLICABLE FOR SUPPORTING CEMENT - ASBESTOS WATER MAIN PIPE.

SIZE OF EXISTING PIPE	(B) BEAM	(C) PLATE	(D) UPRIGHT	(E) SILL
38, 50 & 100	150 x 150	75 x 200	100 x 100	50 x 200 x 600
150	200 x 200	75 x 230	150 x 150	50 x 200 x 600
200	230 x 230	75 x 300	150 x 150	50 x 200 x 600
250 & 300	300 x 300	75 x 350	200 x 200	50 x 200 x 600

All dimensions are in millimetres unless otherwise shown.



ENGINEERING AND CONSTRUCTION SERVICES STANDARD DRAWING

REV 1

APR 2013

TYPICAL DETAILS FOR SUPPORTING WATER PIPE
300 mm DIAMETER AND SMALLER

T-1007.01-2

NTS

SHEET 1