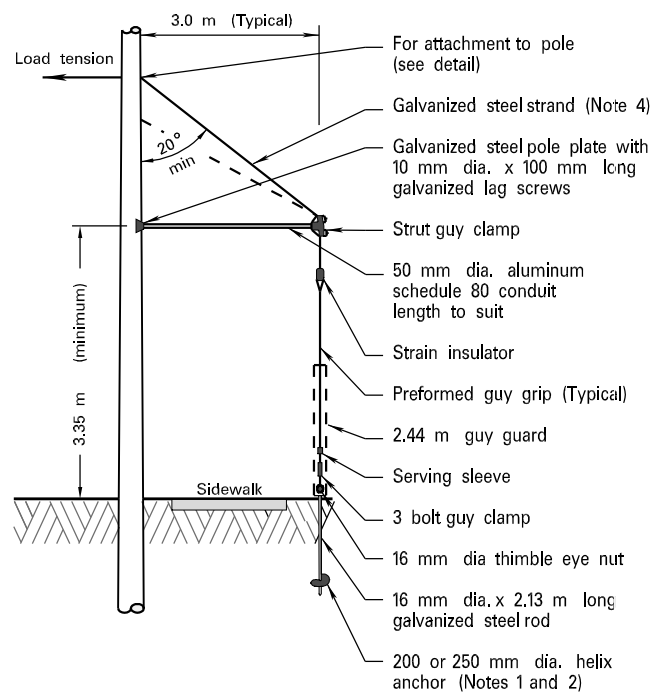
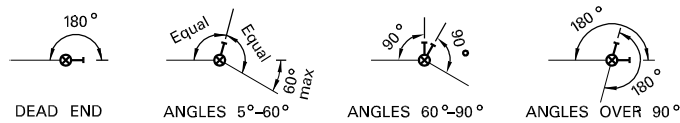


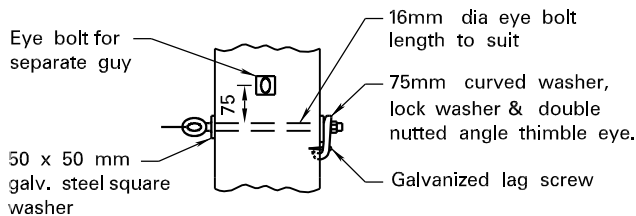
NORMAL GUYING REQUIREMENTS



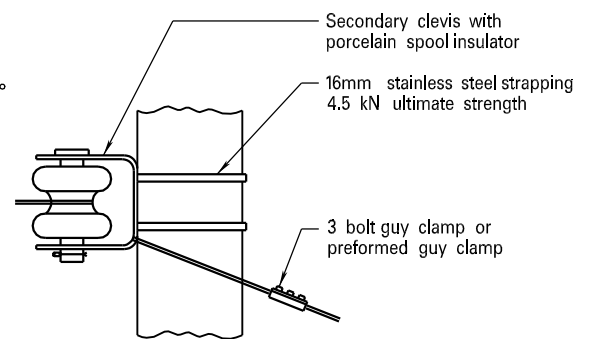
**SIDEWALK STRUT
DOUBLE THIMBLE EYE NUT**



PLAN ARRANGEMENT



WOOD POLE



**CONCRETE OR METAL POLE
GUY ATTACHMENT**

NOTES

1. Clearances to underground utilities and other guy anchors as shown on 'Normal guying requirements' apply to 'Sidewalk Strut' details.
2. Where it is impractical to install power driven anchors, 250 mm dia. expandable type anchors shall be installed and native backfill shall be compacted.
3. Pole attachment height to be set using applicable drawings TTD 804.025, 804.030 and 804.035.
4. Guy steel strand shall be to CSA Standard G12-1971 and shall be 8 mm dia. Grade 180.
5. For pole setting depth, see TTD 805.005.
6. This drawing applies to low voltage and traffic signal installations only.
7. Dimensions are in millimetres or metres, unless otherwise shown.