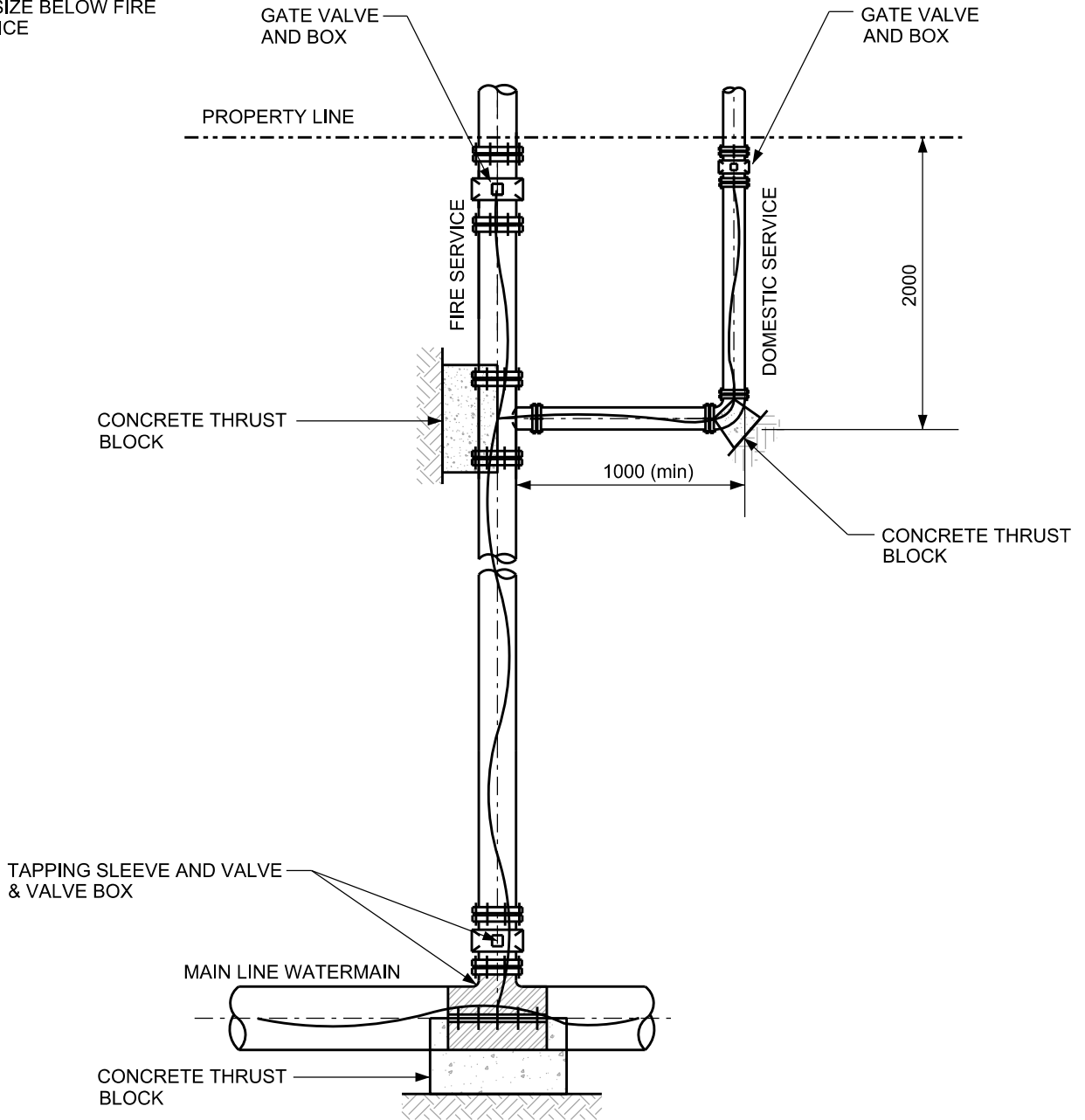


DOMESTIC OFF FIRELINE

FIRE SERVICE SIZE (mm)	MAXIMUM DOMESTIC SIZE (mm)
200	150
150	100
100	50

NOTE 1: DOMESTIC SERVICE TO BE ONE SIZE BELOW FIRE SERVICE



NOTES :

1. WHERE NO METALLIC PIPE IS USED, A RWU90, No.10 GAUGE COPPER TRACER WIRE TO BE INSTALLED WITH THE PIPE AND BE BROUGHT TO THE SURFACE AT ALL VALVE BOXES.

All dimensions are in millimetres unless otherwise shown.



ENGINEERING & CONSTRUCTION SERVICES STANDARD DRAWING

REV 1

NOV 2016

COMBINE FIRE AND DOMESTIC WATER CONNECTION

T-1104.02-3

NTS

SHEET 1