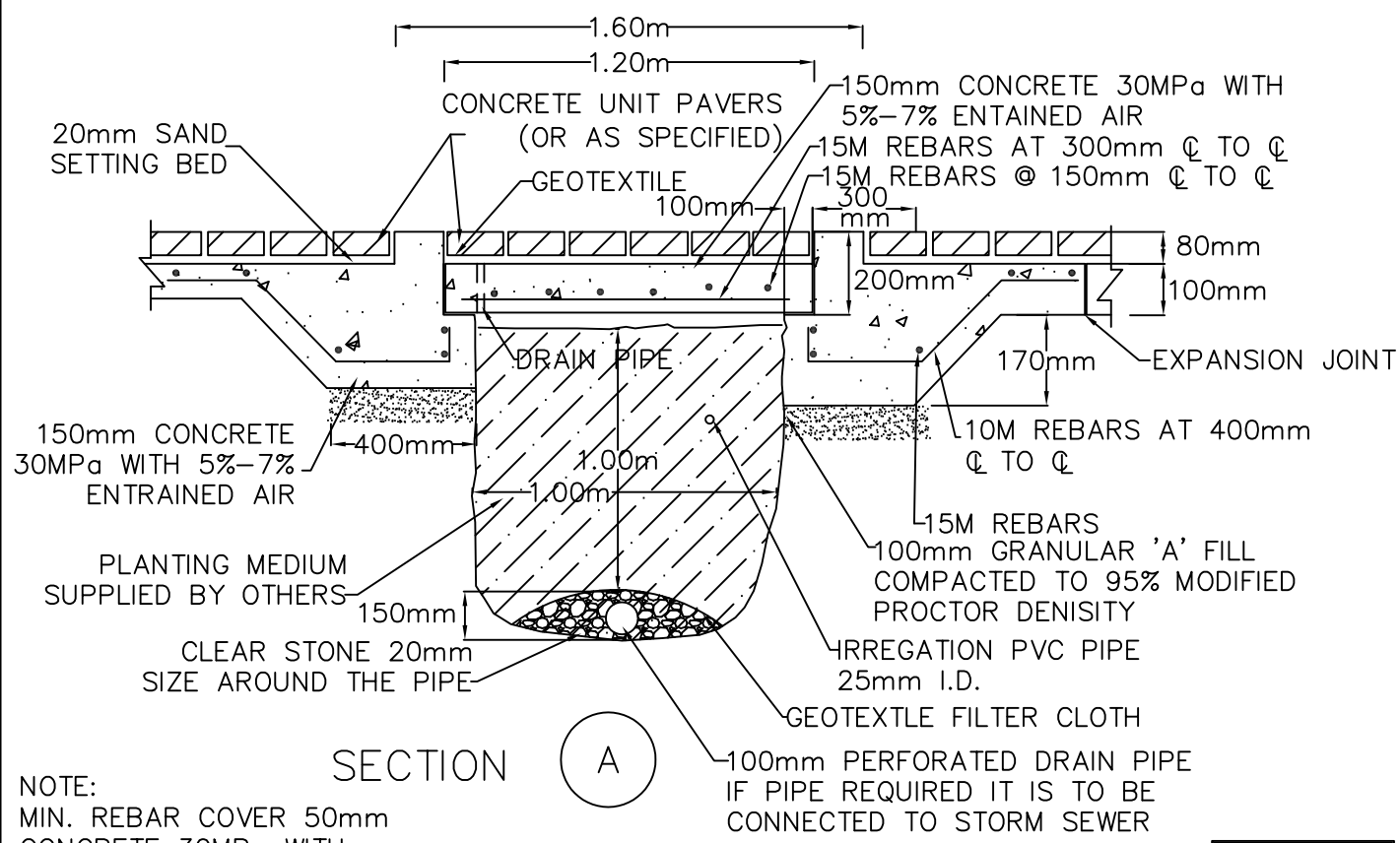


PLAN



SECTION

NOTE:  
 MIN. REBAR COVER 50mm  
 CONCRETE 30MP<sub>a</sub> WITH  
 5%-7% ENTRAINED AIR

**METRIC**  
 ALL DIMENSIONS SHOWN HERE ARE IN  
 MILLIMETRES UNLESS OTHERWISE NOTED

APPROVED BY	SCALE
	N.T.S.



CONTINUOUS TREE PIT  
 IN SIDEWALK BOULEVARD WITH CONCRETE PAVERS

DATE: MARCH, 2002
REVISED:
STANDARD No.
T-310.050-3T6