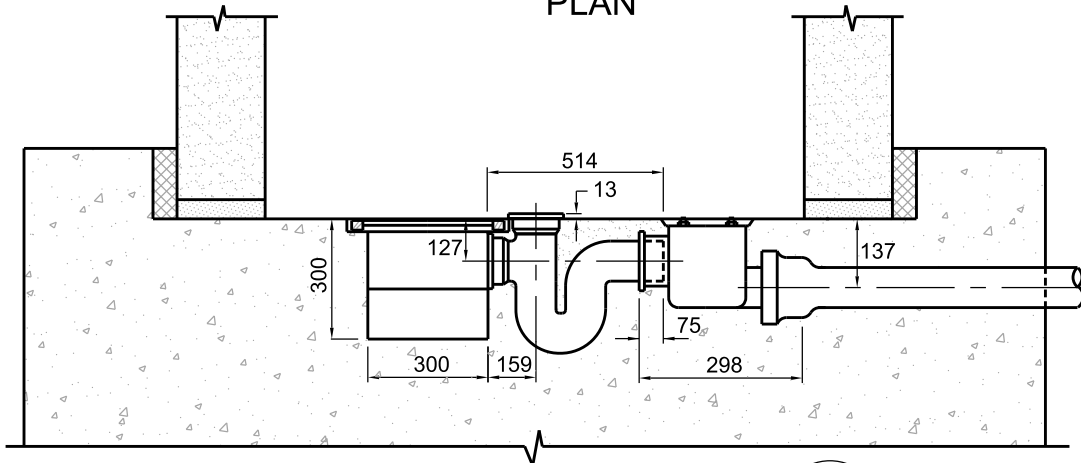
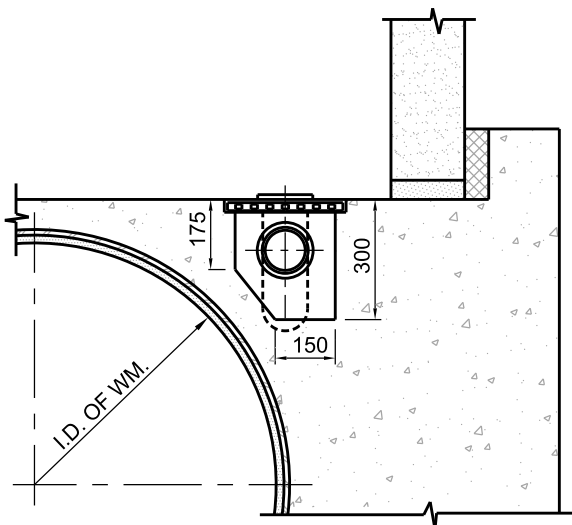


PLAN



SECTION A



SECTION B

All dimensions are in millimetres unless otherwise shown.



ENGINEERING AND CONSTRUCTION SERVICES STANDARD DRAWING

SUMP AND DRAIN DETAILS
FOR PRECAST CHAMBERS
1200 mm DIA WATERMAINS AND SMALLER

REV 1 APR 2013

T-1102.01-5

NTS SHEET 1