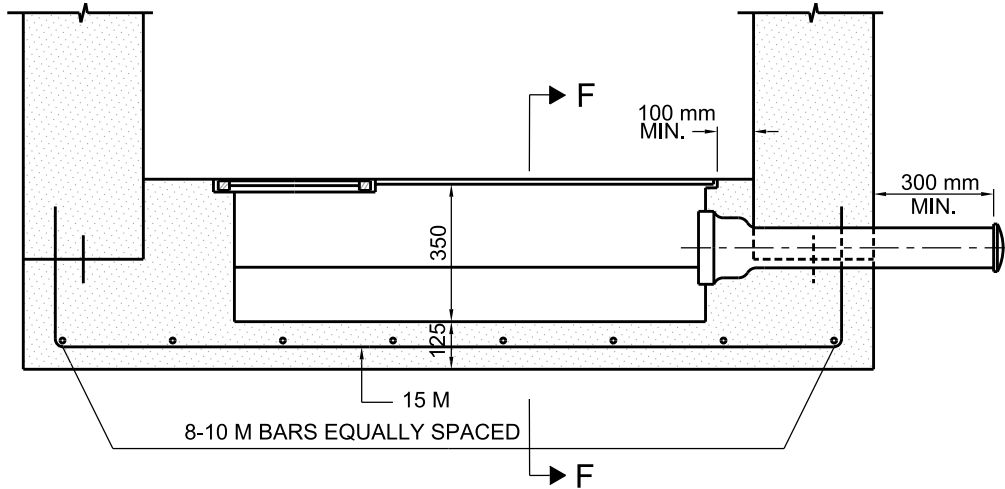
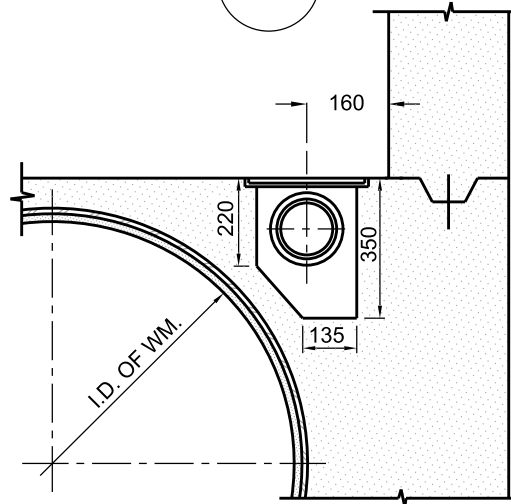


PLAN




SECTION E



SECTION F

All dimensions are in millimetres unless otherwise shown.

	ENGINEERING AND CONSTRUCTION SERVICES STANDARD DRAWING		REV 1	APR 2013	
	SUMP AND DRAIN DETAILS FOR POURED IN PLACE CHAMBERS 1200 mm DIA WATERMAINS AND SMALLER			T-1102.01-3	
			NTS	SHEET 1	