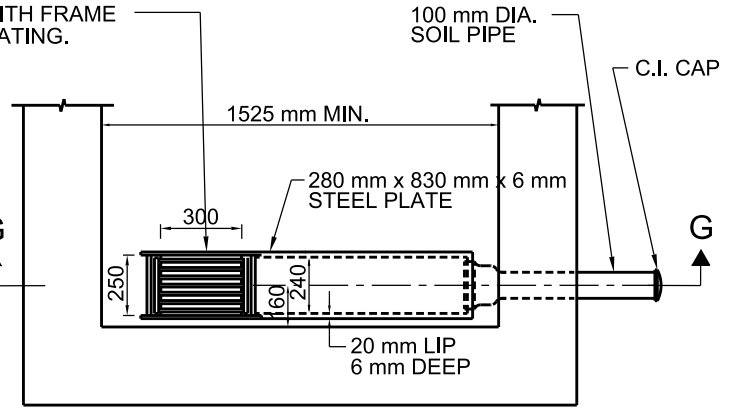
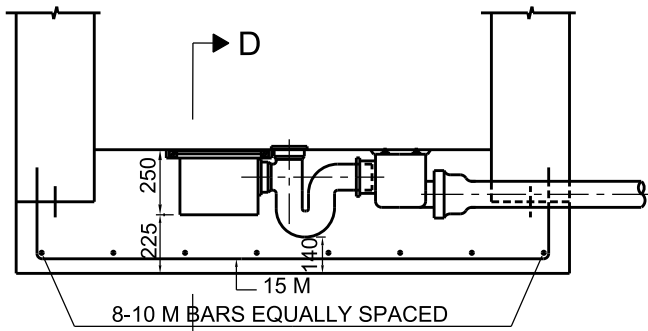


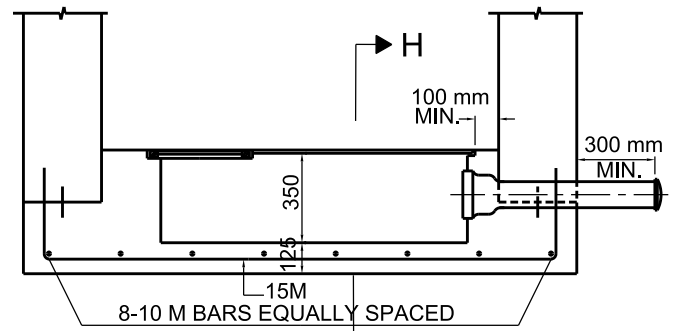
PLAN



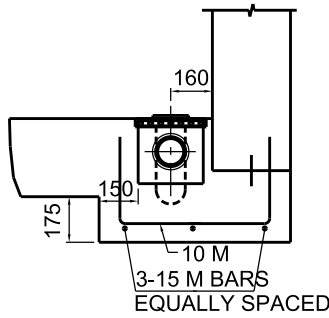
PLAN



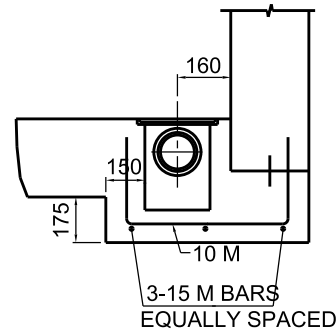
SECTION C



SECTION G



SECTION D



SECTION H

100 mm DRAIN - TYPE 'A'

100 mm DRAIN - TYPE 'B'

All dimensions are in millimetres unless otherwise shown.



ENGINEERING AND CONSTRUCTION SERVICES STANDARD DRAWING

SUMP AND DRAIN DETAILS
FOR 300, 400 AND 500 mm GATE VALVE
AND BUTTERFLY VALVE CHAMBERS

REV 1 APR 2013

T-1102.01-1

NTS SHEET 1