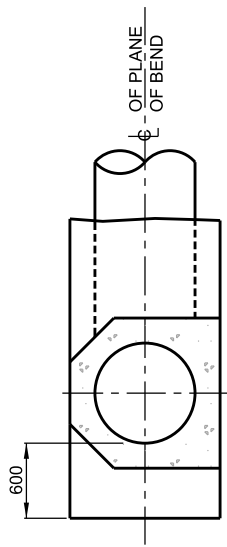
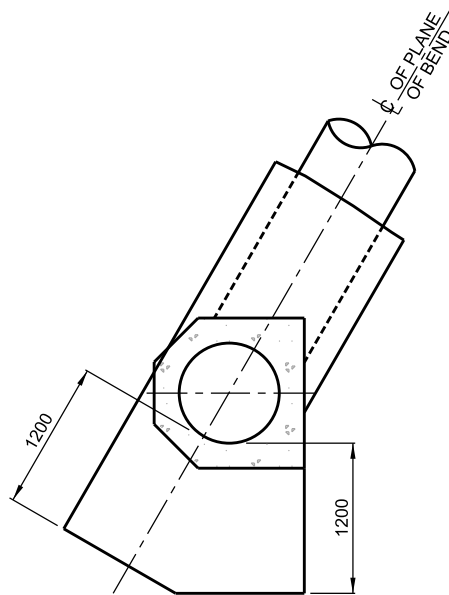


PLAN

FOR ANGLES 22° 30' TO 45° Z = 1200 Y = 1500
 FOR ANGLES OVER 45° & UNDER 70° Z = 1500 Y = 2100
 FOR ANGLES 70° & OVER Z = 2100 Y = 3000

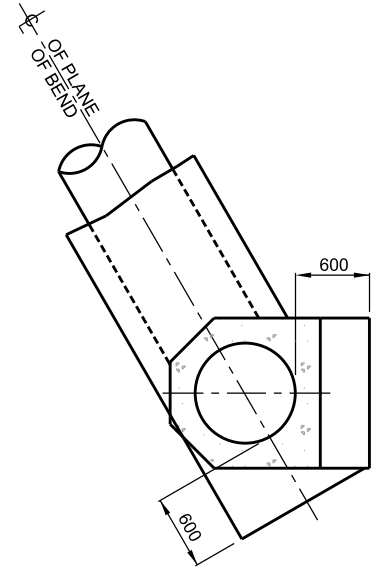


HORIZONTAL ANGLES



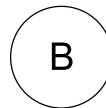
SLOPING DOWNWARDS

COMBINED ANGLES



SLOPING UPWARDS

SECTION



NOTES:

1. FOR CONCRETE ENCASEMENT REFER TO PLAN AND PROFILE FOR ACTUAL THICKNESS.
2. CONCRETE ANCHOR BLOCKS TO BE POURED AGAINST UNDISTURBED EARTH OR SHEETING LEFT IN PLACE.

All dimensions are in millimetres unless otherwise shown.



ENGINEERING AND CONSTRUCTION SERVICES STANDARD DRAWING

**CONCRETE ANCHOR BLOCK DETAILS
 FOR WELDED STEEL WATERMAIN PIPE
 FOR ALL ANGLES 22° 30' AND OVER**

REV 1

APR 2013

T-1103.020-3

NTS

SHEET 1