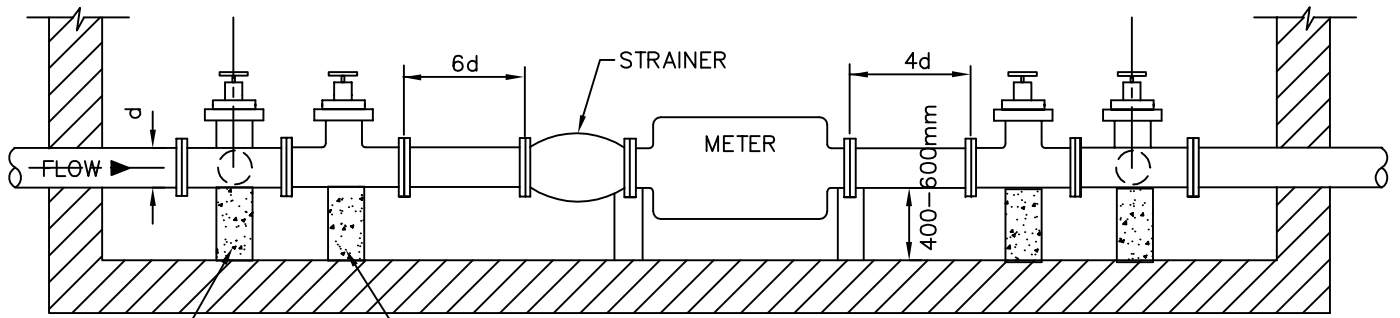


PLAN



ELEVATION

PRIVATE WATER SERVICE PIPE SIZE (mm)	MINIMUM A (m)	MINIMUM B (m)
75-100	3.5	2.3
150	4.3	2.5
200	5.0	2.7
250	6.0	3.0
300	6.6	3.2

NOTES ON T-1107.02-1 SHEET 2 AND 3 ARE INTERGRAL PART OF THIS DRAWING

		TECHNICAL SERVICES Engineering Services - Works Facilities & Structures	
SCALE:	N.T.S.	PIPING LAYOUT FOR COMPOUND AND TURBINE WATER METERS 75mm TO 300mm IN CHAMBERS	DRAWING NUMBER:
DATE:	FEBRUARY 2006		T-1107.02-1
DRAFTING:	V.D./E.S.		SHEET: 1 of 3

NOTES:

1. All water meters shall be installed in the horizontal position. By-pass piping shall be installed in the horizontal position around the water meter. The inlet tee and outlet tee must be installed within a minimum of 300mm from the point of entry on the floor or wall where the private water service pipe enters the chamber.
2. Water meters shall be installed with a minimum 900 mm unobstructed clearance in front of water meter to nearest wall.
3. By-pass piping shall be installed with a minimum 300mm unobstructed clearance from the outside wall of the by-pass pipe to the nearest wall.
4. The working space in front of the water meter shall have a minimum of 2.0 metres unobstructed head clearance.
5. All piping shall be fully supported from the floor, and such support shall be suitable for that purpose and shall be supplied and installed by the property Owner at the time of the installation of the water meter. The pipe immediately adjacent to the meter, not the meter, shall be fully supported from the floor.
6. All valves, bends and tees shall be flanged or solder type. Acid core type solder is not permitted
7. All piping, including by-pass pipe, tees, bends and valves, except for the tee on the drainage valve shall be the same diameter as the private water service pipe. Pipe reducers required to accommodate a smaller water meter than the private water service pipe shall only be installed between the inlet and outlet valves and shall be attached directly to the valves. All pipe reducers shall be concentric type reducers
8. After the water meter has been installed, the by-pass and flushing valves shall remain closed at all times and shall be sealed by the City.
9. All valves shall have a handle showing the "open" and "close" directions.
10. Only gate valves shall be permitted for inlet, outlet, by-pass or flushing valves. No ball valves or butterfly valves shall be permitted. Valves shall be designed for a minimum cold water working pressure of 1,035 kPa. When cement lined ductile iron pipe is used, the valves shall be cast or ductile iron gate valves and shall be according to AWWA C509.
11. All pipe shall be either type "L" copper pipe (certified to ASTM B88), or cement lined ductile iron pipe (pipe to comply with ANSI/AWWA C115/A21.15 or ANSI/AWWA C151/A21.51; cement lining to comply with ANSI/AWWA C104/A21.4; fittings to comply with ANSI/AWWA C110/A21.10), or stainless steel pipe rated to a minimum working pressure of 1,035 kPa. All pipe flanges shall be threaded or welded to the pipe. Galvanized, Polyethylene, PVC and other plastic pipe and fittings shall not be permitted.
12. An approved strainer shall be supplied by the City and shall be bolted to the upstream side of the water meter. Strainer is not required for electromagnetic water meter installations.
13. All check valves, backflow preventers, pressure reducing valves, cross connection control devices and all other devices shall be located downstream of the outlet tee. No other fittings or connections shall be allowed upstream of such devices.

NOTES CONTINUE ON SHEET 3 OF 3



TECHNICAL SERVICES
Engineering Services - Works Facilities & Structures

SCALE:	N.T.S.	PIPING LAYOUT FOR COMPOUND AND TURBINE WATER METERS 75mm TO 300mm IN CHAMBERS	DRAWING NUMBER:
DATE:	FEBRUARY 2006		T-1107.02-1
DRAFTING:	V.D./E.S.		SHEET: 2 of 3

14. With the exception of items number 15 and 16 herein, all meter installations shall conform to the manufacturer's installation instructions.
15. The minimum distance between the flange on the outlet side of the inlet valve and the flange on the inlet side of the strainer shall be no less than six (6.0) pipe diameters. No bends or other fittings shall be allowed in this pipe section.
16. The minimum distance between the flange on the outlet side of the water meter and the inlet side of the outlet valve shall be no less than four (4.0) pipe diameters. No bends or other fittings shall be allowed in this pipe section.
17. The by-pass valve shall be bolted to the inlet tee, the flushing valve shall be bolted to the outlet tee and the drainage valve shall be bolted to the flushing valve. All valves shall be configured such that their handles shall not interfere with each other and all valves shall be readily accessible for operation, repair or replacement.
18. Any insulation placed on or around any water meter shall be easily removable and replaceable and shall not contain asbestos or any other toxic or hazardous materials. Such insulation shall not cover or obstruct the water meter register(s). The City shall not be responsible for any damage to such insulation during any removal or replacement of such insulation.
19. The private water service pipe shall be flushed prior to and after the installation of the water meter.
20. For remote readout device wire and conduit installation, refer to City of Toronto Specifications.



TECHNICAL SERVICES
Engineering Services - Works Facilities & Structures

SCALE:	N.T.S.	PIPING LAYOUT FOR COMPOUND AND TURBINE WATER METERS 75mm TO 300mm IN CHAMBERS	DRAWING NUMBER:
DATE:	FEBRUARY 2006		T-1107.02-1
DRAFTING:	V.D./E.S.		SHEET: 3 of 3