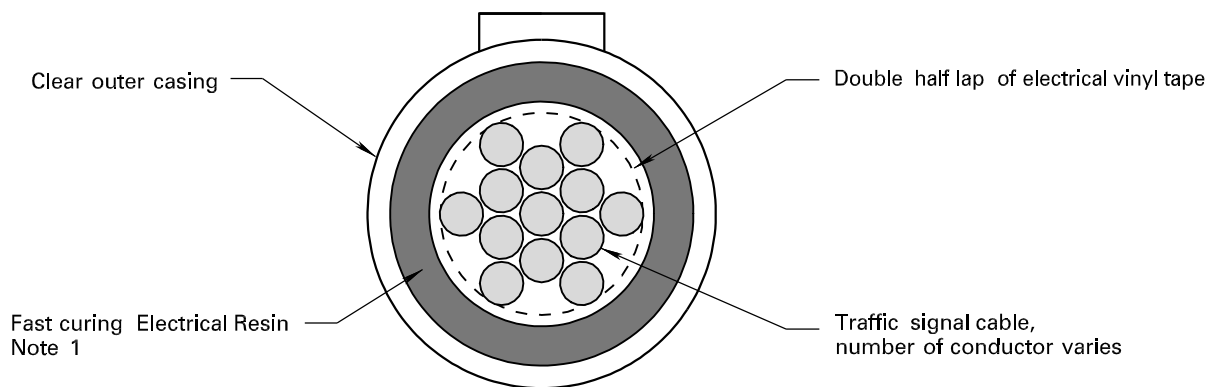


TRAFFIC SIGNAL CABLE-SPLICING DETAIL



SECTION A-A

NOTES

1. Splices to be of suitable diameter and length and installed in accordance with manufacturer's instructions.
2. Splices shall not be used unless shown on the wiring diagrams, quantity sheets or layout drawings, unless otherwise approved by the Engineer.

Dimensions are in millimetres or metres, unless otherwise shown.