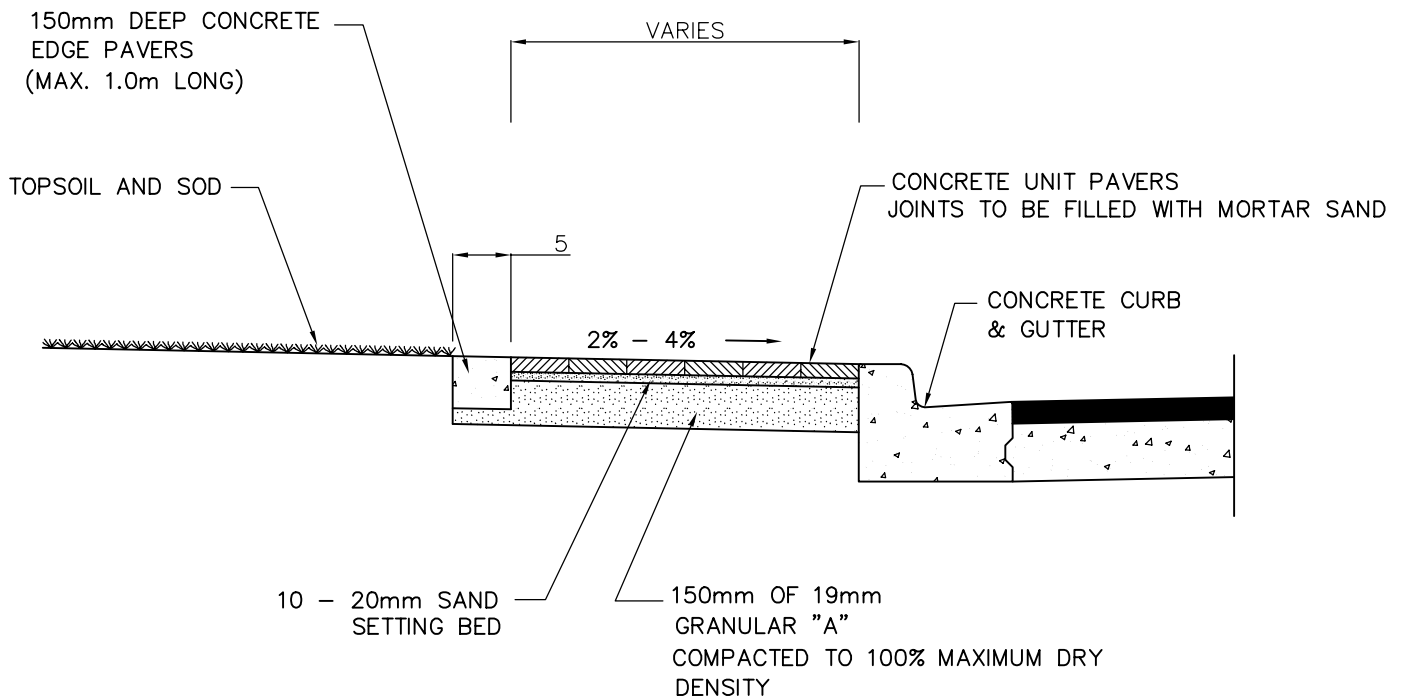


PLAN



SECTION

NOTES:

- LAYOUT PATTERN AND PAVER SIZE AS SPECIFIED

METRIC
ALL DIMENSIONS SHOWN HERE ARE IN
MILLIMETRES UNLESS OTHERWISE NOTED



WORKS & EMERGENCY SERVICES

TECHNICAL SERVICES DIVISION
Engineering Services - Works Facilities & Structures

SCALE:	N.T.S.	INTERLOCKING CONCRETE PAVERS GRANULAR BASE NON-VEHICULAR LOCATIONS	DRAWING NUMBER:
DATE:	DECEMBER, 2003		T-561.030-2
DRAFTING:	V. DIDIANO		SHEET: 1