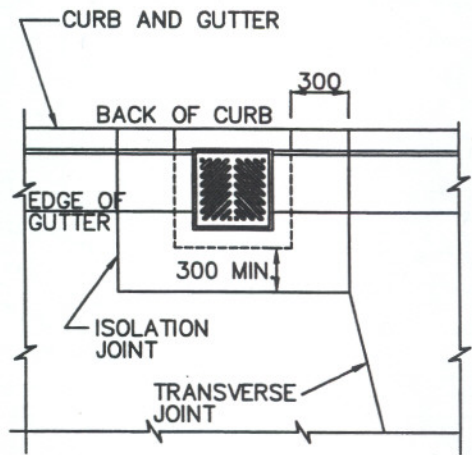
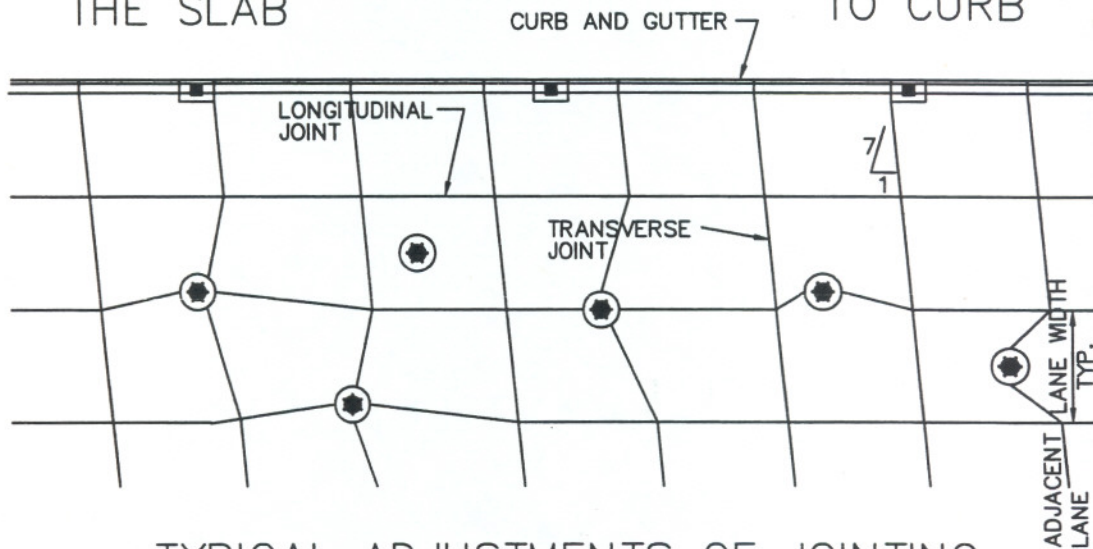


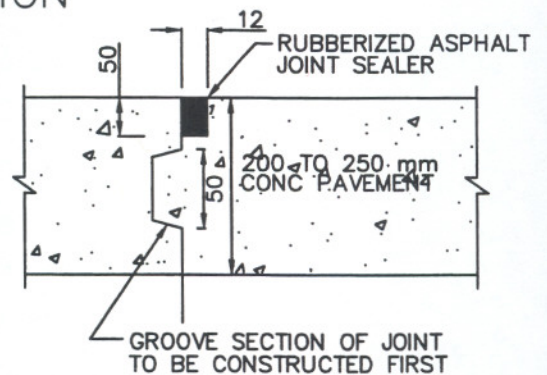
ISOLATION WITHIN THE SLAB



ISOLATION ADJACENT TO CURB



TYPICAL ADJUSTMENTS OF JOINTING AT UTILITY ISOLATION



ISOLATION JOINT

NOTES

- 1 WHEN LONGITUDINAL JOINT OR TRANSVERSE JOINT IS WITHIN 1m OF THE ISLATION JOINT, USE APPROPRIATE ADJUSTMENT OF JOINTING.

METRO
ALL DIMENSIONS SHOWN HERE ARE IN MILLIMETERS UNLESS OTHERWISE NOTED

APPROVED BY

Tom Denes
TOM DENES, P. ENG.
EXECUTIVE DIRECTOR TECHNICAL SERVICES

SCALE

N.T.S.

DATE: JUNE, 2001

REVISED:

STANDARD No.

T-216.02-5



UTILITY ISOLATION
IN COMPOSITE PAVEMENT