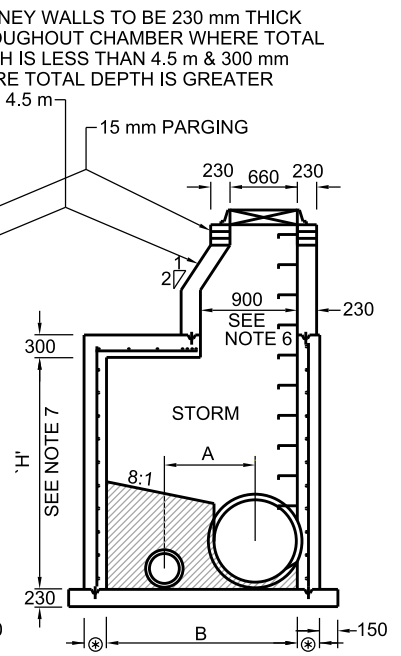
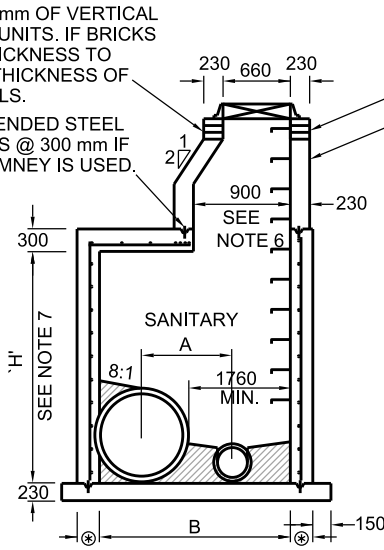
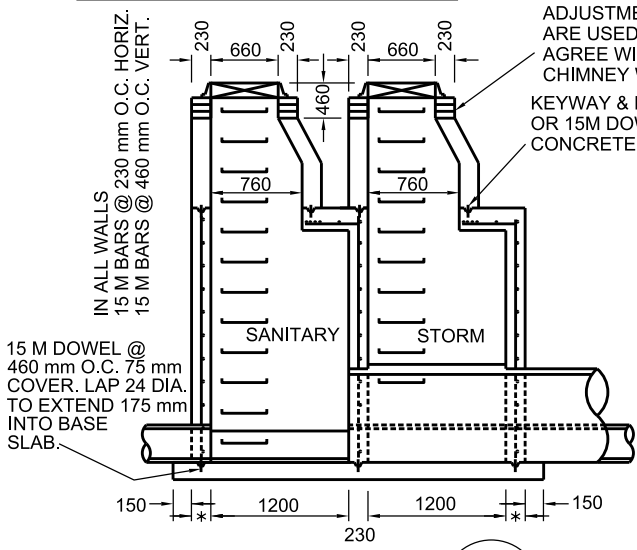


STORM SIZE	A DIMENSION SANITARY SIZE				B DIMENSION
	250	300	375	450	
300	515	560	600	650	1525
375	560	600	650	690	1525
450	600	650	690	735	1600
525	650	690	735	780	1600
600	690	735	780	825	1675
675	735	780	825	870	1675

PLAN OF DEAD END MAINTENANCE HOLE

SLAB REINFORCING SCHEDULE



SECTION A

SECTION B

SECTION C

CHIMNEY WALLS TO BE 230 mm THICK THROUGHOUT CHAMBER WHERE TOTAL DEPTH IS LESS THAN 4.5 m & 300 mm WHERE TOTAL DEPTH IS GREATER THAN 4.5 m

MAXIMUM 300 mm OF VERTICAL ADJUSTMENT UNITS. IF BRICKS ARE USED, THICKNESS TO AGREE WITH THICKNESS OF CHIMNEY WALLS.
KEYWAY & EXTENDED STEEL OR 15M DOWELS @ 300 mm IF CONCRETE CHIMNEY IS USED.

15 M DOWEL @ 460 mm O.C. 75 mm COVER. LAP 24 DIA. TO EXTEND 175 mm INTO BASE SLAB.

IN ALL WALLS 15 M BARS @ 230 mm O.C. HORIZ. 15 M BARS @ 460 mm O.C. VERT.

⊕ PIPE BARREL THICKNESS
+ 230 mm UNDER 4.6 m
+ 300 mm OVER 4.6 m

NOTES:

- CONCRETE TO BE 32 MPa AT 28 DAYS CAST IN PLACE.
- REINFORCING STEEL TO BE 350 MPa DEFORMED BARS MINIMUM COVER TO BE 50 mm LAP 24 BAR DIA.
- FIRST STEP TO BE 75 to 300 mm BELOW FRAME. LAST STEP TO BE 300 mm ABOVE BENCHING OR 600 mm ABOVE INVERT IF NO BENCHING.
- ALL BOXES FOR FUTURE SEWER TO HAVE 50 mm x 100 mm KEYWAY ON ALL SIDES.
- TOP OF BENCHING TO BE SLOPED TO A MAXIMUM OF 8:1
- IF DEPTH IS SUFFICIENT TO WARRANT A SAFETY PLATFORM CHIMNEY SHALL BE 1200 mm x 1200 mm.

7. FOR USE ON STRAIGHT RUNS ONLY	
H =	1.2 m FOR DEPTHS 2.0 m to 2.3 m
	1.5 m FOR DEPTHS 2.3 m to 2.8 m
	1.8 m FOR DEPTHS 2.8 m to 3.2 m
	2.1 m FOR DEPTHS 3.2 m and over
	— STACK 760 mm X 760 mm
	— STACK 760 mm X 900 mm

- PARGING SHALL BE 1:3 MORTAR MIX.
- WATERPROOFING OVER PARGING TO BE 2 HEAVY COATS OF BITUMEN.
- WHERE PIPES JOIN AT MAINTENANCE HOLE, JOINTS ARE TO BE WATERTIGHT WITH THE APPROVED SEAL.

All dimensions are in millimetres unless otherwise shown.



ENGINEERING AND CONSTRUCTION SERVICES STANDARD DRAWING

REV 1 APR 2013

TYPICAL DUAL MAINTENANCE HOLE
MAXIMUM STORM SIZE 675 mm DIA.
(STRAIGHT RUNS ONLY)

T-701.013-2

NTS SHEET 1