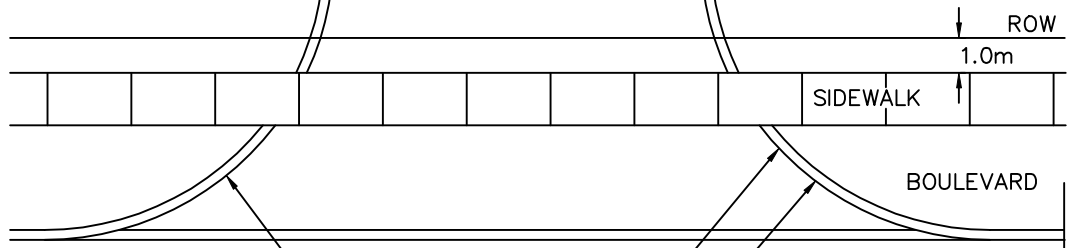
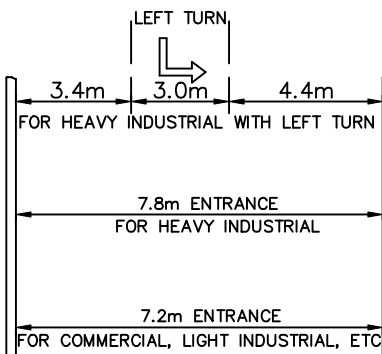


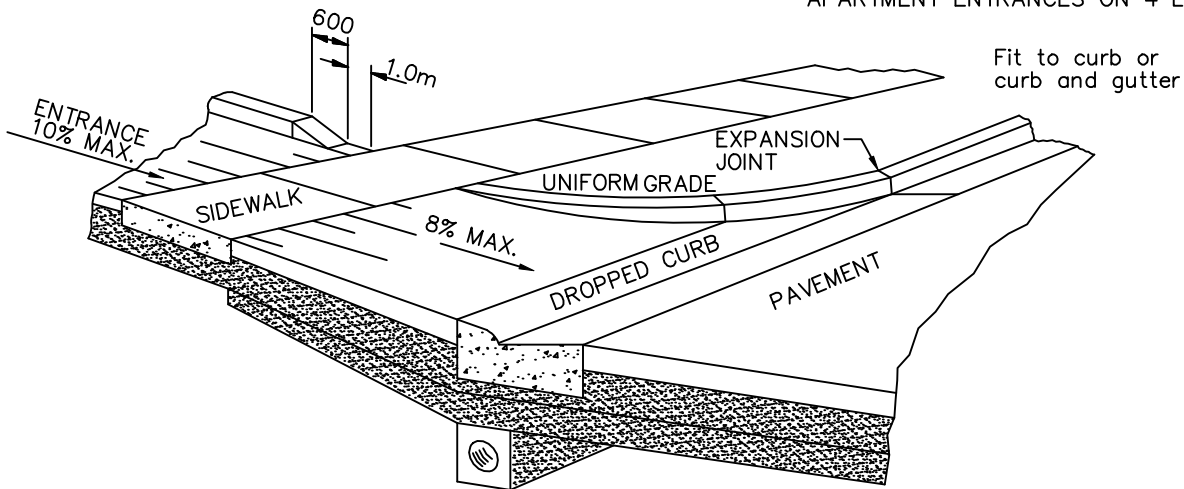
DETAIL 1



CONCRETE CURB OR CURB AND GUTTER FOR ENTRANCE WITHOUT CURB OR CURB AND GUTTER SEE DETAIL 1

PLAN

R=5.0m FOR LIGHT INDUSTRIAL ENTRANCES, COMMERCIAL AND APARTMENT ENTRANCES ON 2 LANE ROADS
R=8.0m FOR ALL HEAVY INDUSTRIAL ENTRANCES, AND FOR COMMERCIAL AND APARTMENT ENTRANCES ON 4 LANE ROADS



NOTES

1. MINIMUM DIMENSIONS ARE INDICATED. MAXIMUM DIMENSIONS AS PER OWNER REQUIREMENTS
2. PAVEMENT AND SIDEWALK STRUCTURE AT ENTRANCES SHALL BE CONSTRUCTED USING MATERIALS AND THICKNESSES AS SPECIFIED ELSEWHERE.

METRIC
ALL DIMENSIONS SHOWN HERE ARE IN MILLIMETRES UNLESS OTHERWISE NOTED

APPROVED BY
Tom Denes
TOM DENES, P. ENG.
EXECUTIVE DIRECTOR TECHNICAL SERVICES

SCALE
N.T.S.

DATE: JUNE, 2001

REVISED:

STANDARD No.

T-350.01



URBAN ENTRANCES