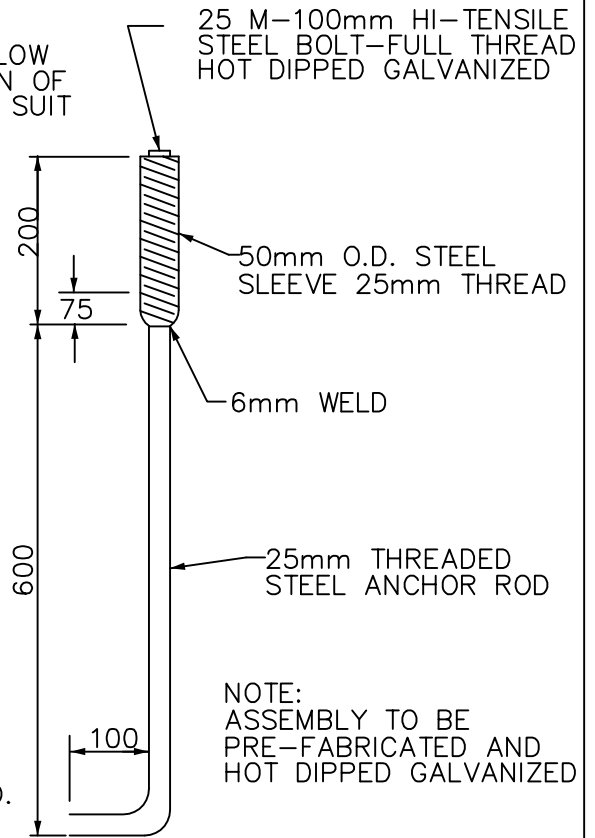
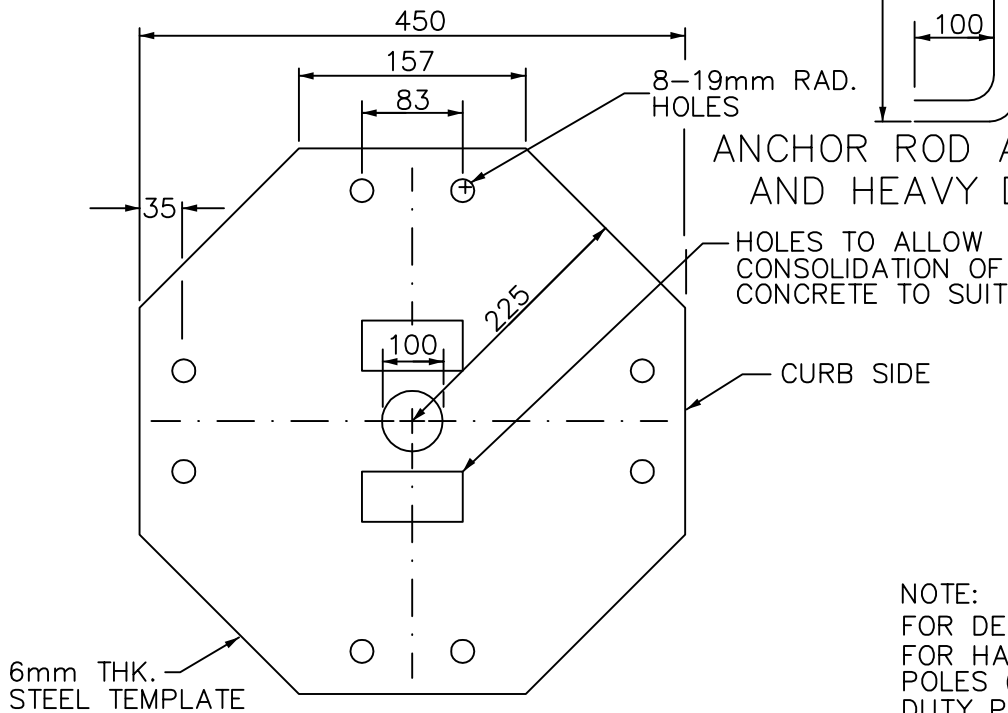


ANCHOR BOLT LOCATING TEMPLATE FOR REGULAR LIGHT POLE



NOTE:
ASSEMBLY TO BE PRE-FABRICATED AND HOT DIPPED GALVANIZED

ANCHOR ROD ASSEMBLY, REGULAR AND HEAVY DUTY POLE BASES



ANCHOR BOLT LOCATING TEMPLATE FOR HEAVY DUTY LIGHT POLE

NOTE:
FOR DETAIL OF LIGHT POLE BASE FOR HARBOURFRONT TYPE LIGHT POLES (FOR REGULAR AND HEAVY DUTY POLES) SEE T-310.050-8T3

METRIC
ALL DIMENSIONS SHOWN HERE ARE IN MILLIMETRES UNLESS OTHERWISE NOTED

APPROVED BY

SCALE

N.T.S.



ANCHOR BOLT TEMPLATE DETAIL FOR HARBOURFRONT TYPE LIGHT POLES (FOR REGULAR AND HEAVY DUTY POLES)

DATE: MARCH, 2002

REVISED:

STANDARD No.

T-310.050-8T4