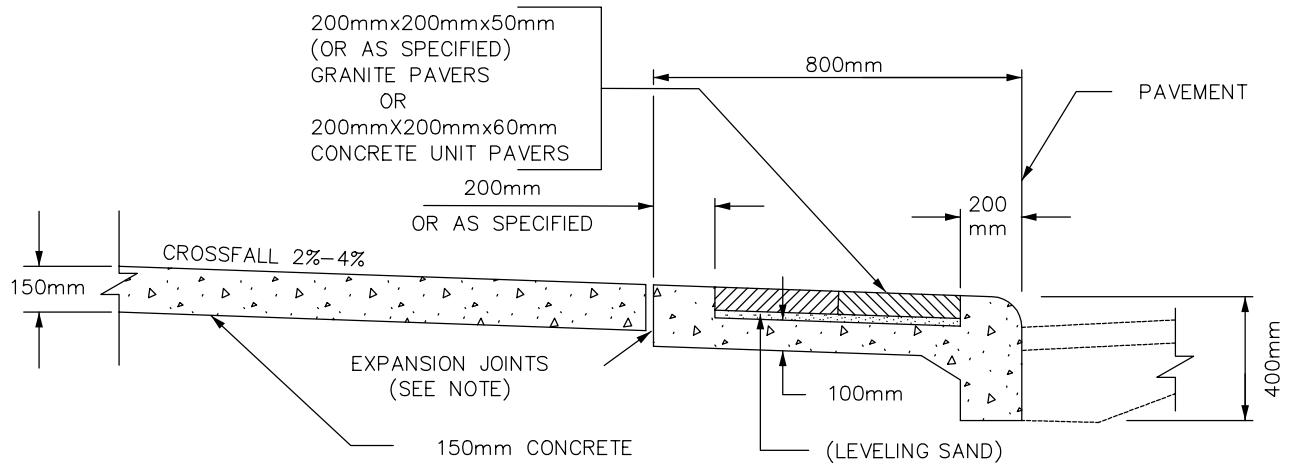


PLAN



SECTION

NOTE:

- 1 WHEN SIDEWALK WIDTH IS LESS THAN 2.0m REPLACE EXPANSION JOINT WITH TOOLED JOINT AND PLACE CURB, BASE AND WALK MONOLITHICALLY
- 2 LAYOUT PATTERN, COLOUR AND PAVERS SIZE AS SPECIFIED

METRIC
ALL DIMENSIONS SHOWN HERE ARE IN MILLIMETRES UNLESS OTHERWISE NOTED



WORKS & EMERGENCY SERVICES

TECHNICAL SERVICES DIVISION
Engineering Services - Works Facilities & Structures

SCALE:	N.T.S.	DETAIL OF SIDEWALK PAVED WITH TWO ROWS OF GRANITE OR CONCRETE UNIT PAVERS	DRAWING NUMBER:
DATE:	APRIL, 2003		T-310.020-2
DRAFTING:	V. DIDIANO		SHEET: 1