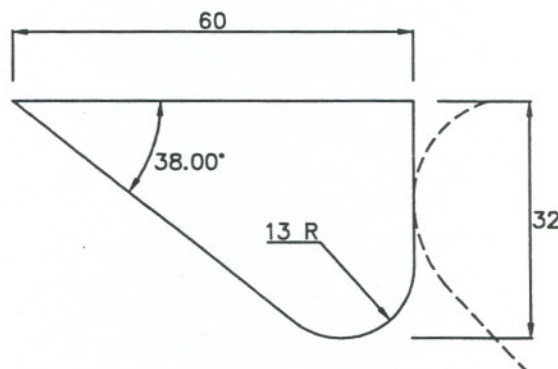


PAVING CONTOUR AT RAILHEAD



TEMPLATE FOR WOODEN FORM  
FOR A 49.60kg T RAIL GROOVE

NOTES:

- 1. CROWN NOT USED THROUGH INTERSECTIONS.

**METRIC**  
ALL DIMENSIONS SHOWN HERE ARE IN  
MILLIMETERS UNLESS OTHERWISE NOTED

APPROVED BY

*Tom Denes*  
TOM DENES, P. ENG.  
EXECUTIVE DIRECTOR TECHNICAL SERVICES

SCALE

N.T.S.

DATE: JUNE, 2001

REVISED:

STANDARD No.

T-216.02-11



CONCRETE PAVEMENT IN T.T.C.  
TRACK ALLOWANCE DETAIL