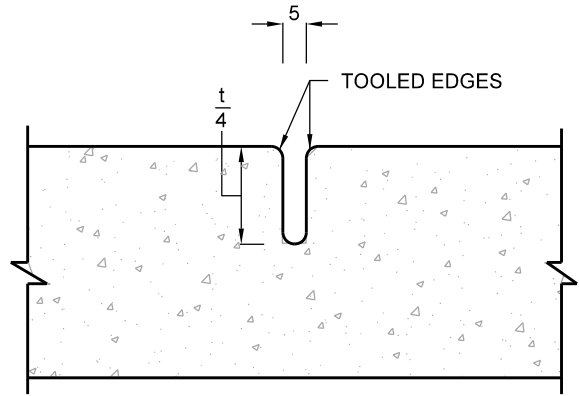
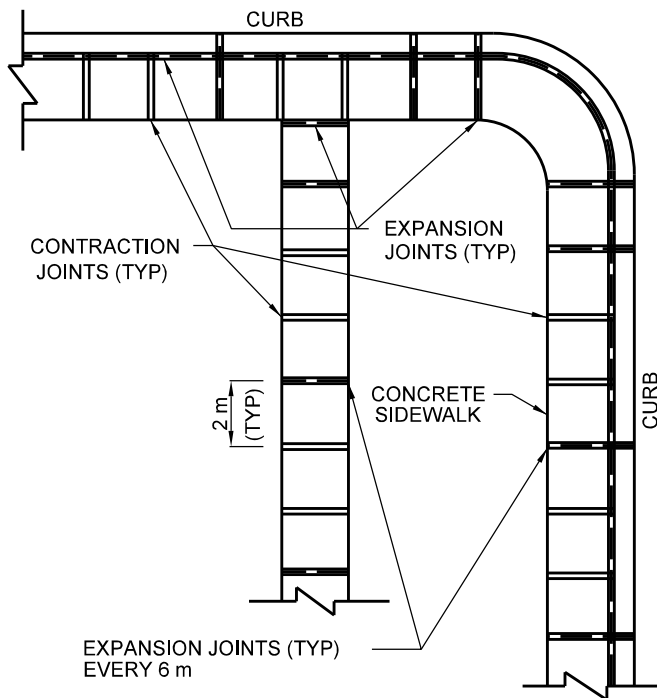


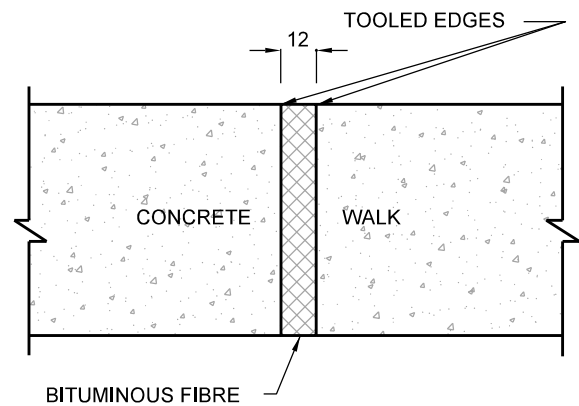
PLAN



TYPICAL
CONTRACTION JOINT



PLAN



TYPICAL
EXPANSION JOINT

NOTES:

1. POLES AND OTHER FIXED OBJECTS SHALL BE ISOLATED BY THE USE OF EXPANSION JOINTS.
2. t = THICKNESS OF SIDEWALK.

All dimensions are in millimetres unless otherwise shown.



ENGINEERING & CONSTRUCTION SERVICES STANDARD DRAWING

LOCATION AND DETAIL
OF JOINTS FOR SIDEWALK

REV 1

NOV 2014

T-310.010-1

NTS

SHEET 1