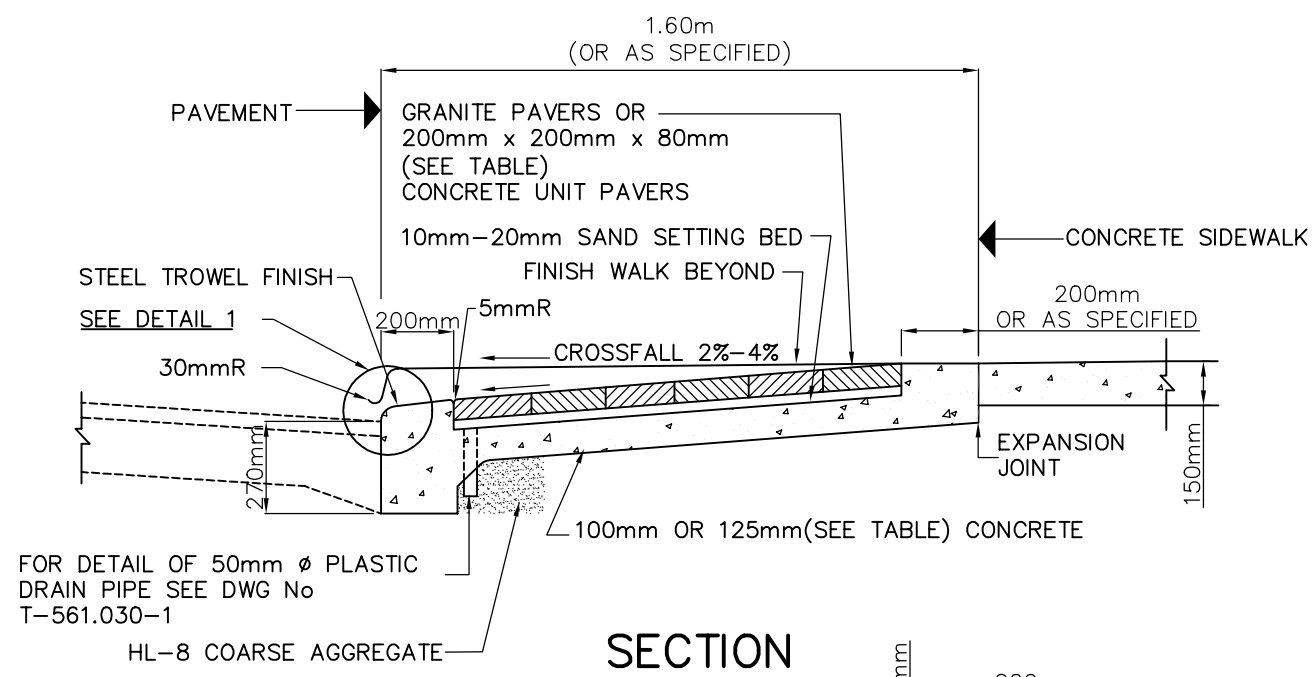
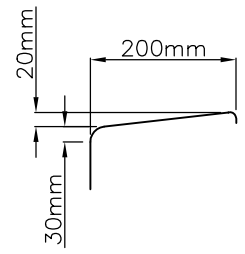


PLAN



SECTION



DETAIL 1

METRIC
ALL DIMENSIONS SHOWN HERE ARE IN MILLIMETRES UNLESS OTHERWISE NOTED

RAMPS		
	RESIDENTIAL	COMMERCIAL
CONCRETE BASE	100mm THICK	125mm THICK
CONCRETE UNIT PAVERS (MAX SIZE)	60mm THICK 200mm x 200mm	80mm THICK 100mm x 200mm
GRANITE PAVERS	10mm-50mm THICK	NOT TO BE USED

		WORKS & EMERGENCY SERVICES	TECHNICAL SERVICES DIVISION Engineering Services - Works Facilities & Structures
SCALE:	N.T.S.	VEHICULAR CROSSING OF WALK (WITH DRY LAID PAVER INSTALLATION)	DRAWING NUMBER:
DATE:	DECEMBER, 2003		T-310.050-2
DRAFTING:	V. DIDIANO		SHEET: 1