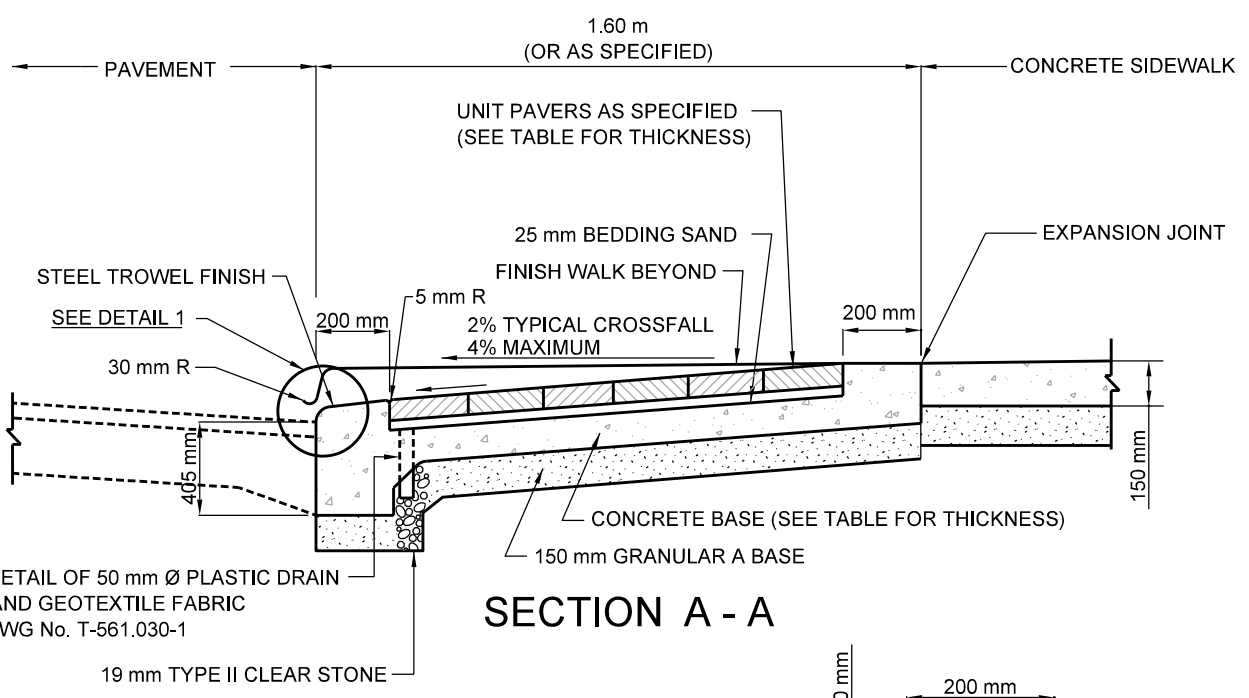
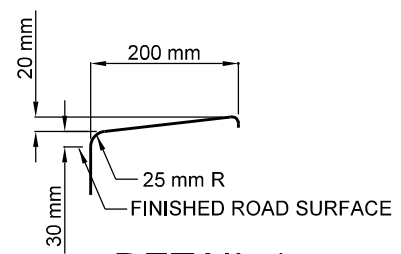


PLAN



SECTION A - A

FOR DETAIL OF 50 mm Ø PLASTIC DRAIN PIPE AND GEOTEXTILE FABRIC SEE DWG No. T-561.030-1



DETAIL 1

RAMP	THICKNESS	
	RESIDENTIAL	COMMERCIAL
CONCRETE BASE	100 mm	125 mm
CONCRETE PAVERS	80 mm	80 mm

All dimensions are in millimetres unless otherwise shown.



ENGINEERING & CONSTRUCTION SERVICES STANDARD DRAWING

REV 6 SEP 2018

VEHICULAR CROSSING OF SIDEWALK WITH UNIT PAVER INSTALLATION

T-310.050-2

NTS SHEET 1