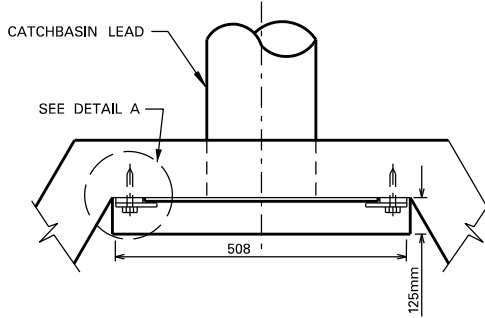


# FLAT PLATE DESIGN

(FOR USE IN PRECAST MONOLITHIC CATCHBASIN BASES)

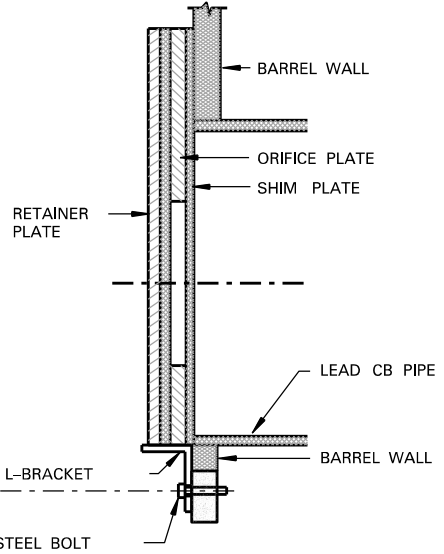
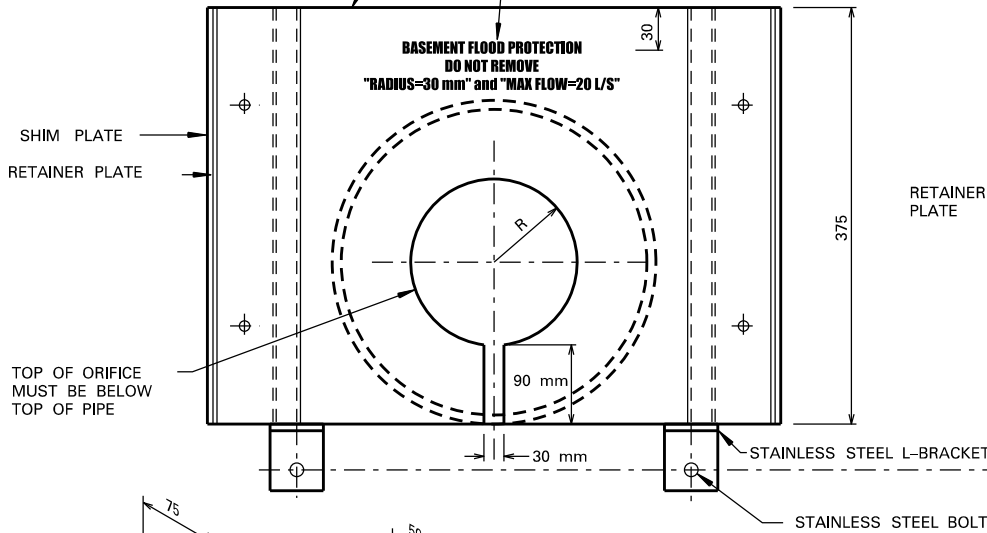


SEE DETAIL A

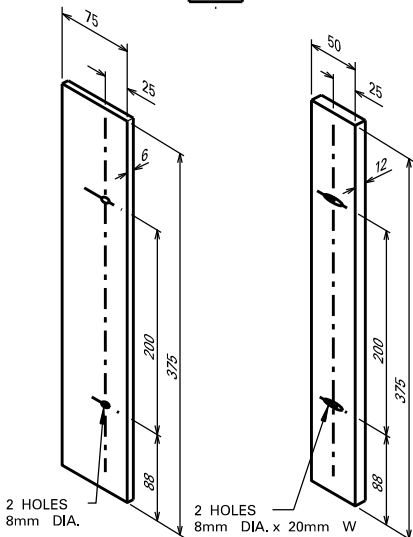
ORIFICE PLATE

EXAMPLE OF PLATE TYPE  
EMBOSSED OR ROUTED IN PERMANENT  
BLOCK LETTERS 65 mm HIGH  
ON HORIZONTAL CENTRELINE OF PLATE

BASEMENT FLOOD PROTECTION  
E.G. "RADIUS=30 mm" and "MAX FLOW=20 L/S"

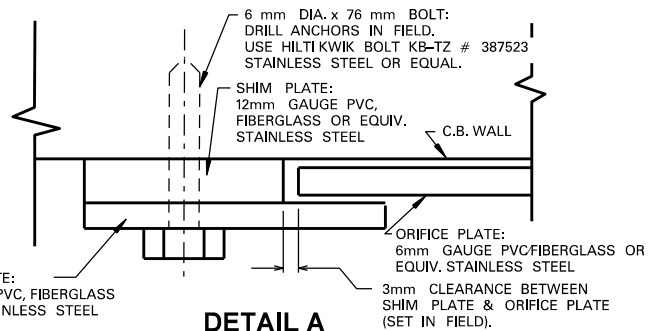


SIDE VIEW



RETAINER PLATE

SHIM PLATE



DETAIL A

H = DEPTH FROM THE CENTRELINE OF THE ORIFICE  
TO THE TOP OF THE CATCHBASIN GRATE + MAXIMUM  
DEPTH OF PONDING ABOVE CATCHBASIN GRATES

TYPE	RADIUS of ORIFICE	MAX FLOW (L/S)
R30	30 mm	$Q=17.1 \times H^{0.5}$
R50	50 mm	$Q=30.05 \times H^{0.5}$
R70	70 mm	$Q=49.4 \times H^{0.5}$
R100	100 mm	$Q=89.8 \times H^{0.5}$

All dimensions are in millimetres unless otherwise shown.



ENGINEERING & CONSTRUCTION SERVICES STANDARD DRAWING

REV 1

APR 2018

CATCH BASIN INLET CONTROL ASSEMBLY  
FOR PLATE TYPE CONTROL

T-706.010

NTS

SHEET 1