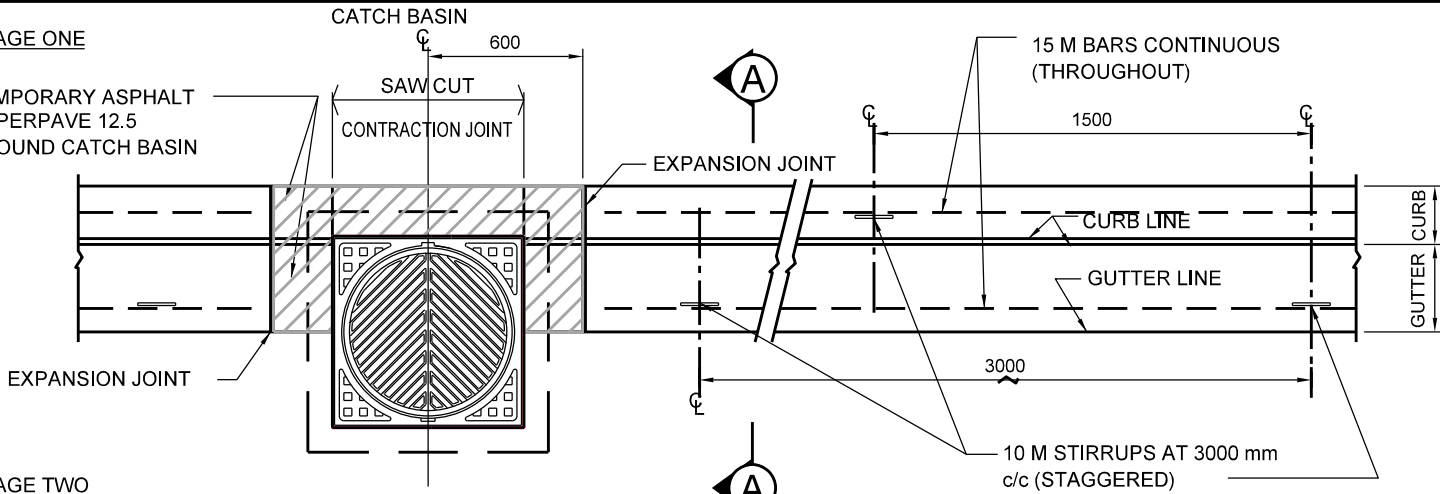


STAGE ONE

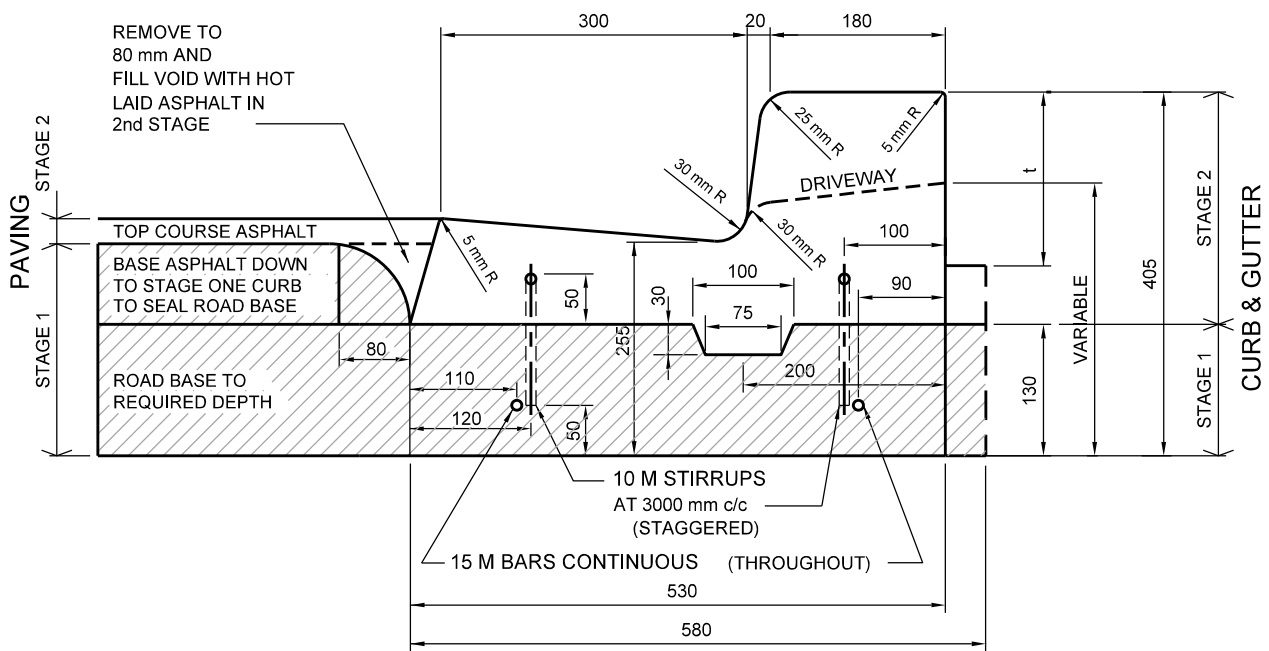
TEMPORARY ASPHALT
SUPERPAVE 12.5
AROUND CATCH BASIN



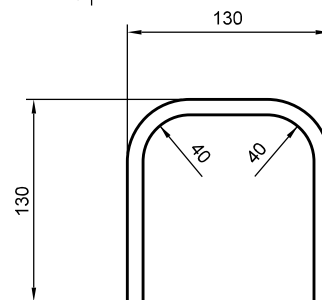
STAGE TWO

REMOVE ASPHALT FILLER AND PLACE SECOND
STAGE OF CURB AND GUTTER.

PLAN



SECTION A - A



STIRRUPS DETAIL

10 M DEFORMED BAR

NOTES:

1. $t = 130$ mm, 150 mm OR 180 mm TO SUIT CONCRETE SIDEWALK, CONCRETE BOULEVARD, OR CONCRETE DRIVEWAY MEASURED FROM TOP OF CURB DEPRESSION.
2. CURB CUT END TAPERED 4:1.
3. STAGE-ONE TO BE THOROUGHLY CLEANED TO THE SATISFACTION OF THE CITY PRIOR TO STAGE TWO INSTALLATION.

All dimensions are in millimetres unless otherwise shown.

ENGINEERING & CONSTRUCTION SERVICES STANDARD DRAWING

REV 3

SEP 2017



TWO - STAGE CURB AND GUTTER

T-600.07-1

NTS

SHEET 1