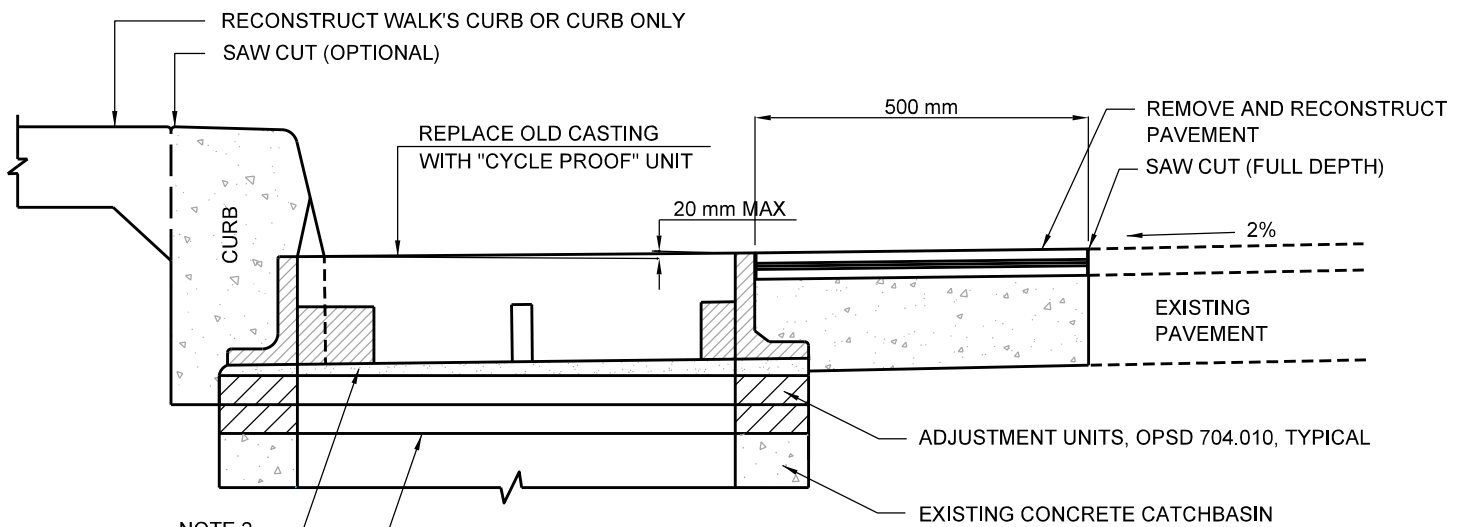


PLAN



NOTE 2

NOTE 1

SECTION A-A

NOTES:

1. FIRST ADJUSTMENT UNIT TO BE SET IN FULL MORTAR BED.
2. FRAME TO BE SET IN FULL MORTAR BED.

All dimensions are in millimetres unless otherwise shown.



ENGINEERING & CONSTRUCTION SERVICES STANDARD DRAWING

INSTALLATION OF NEW CATCH BASIN CASTING

REV 1

NOV 2014

T-610.020-1

NTS

SHEET 1