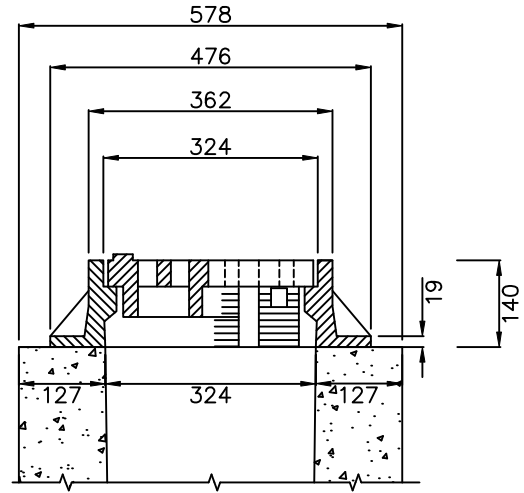
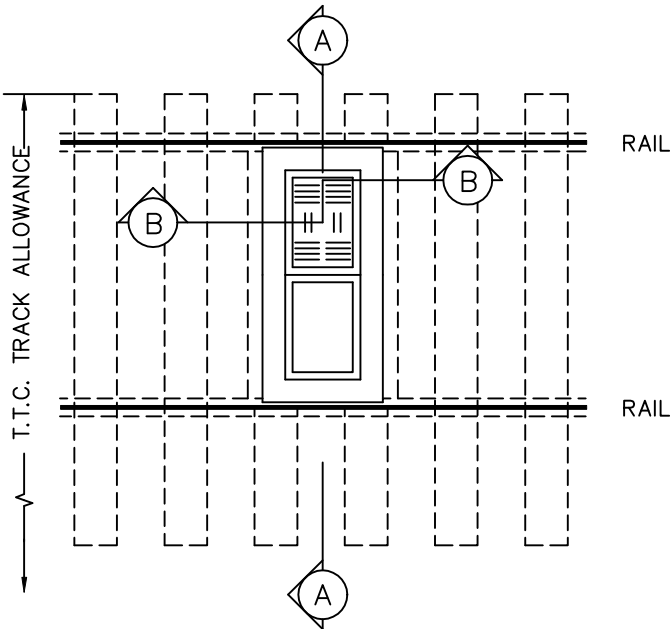
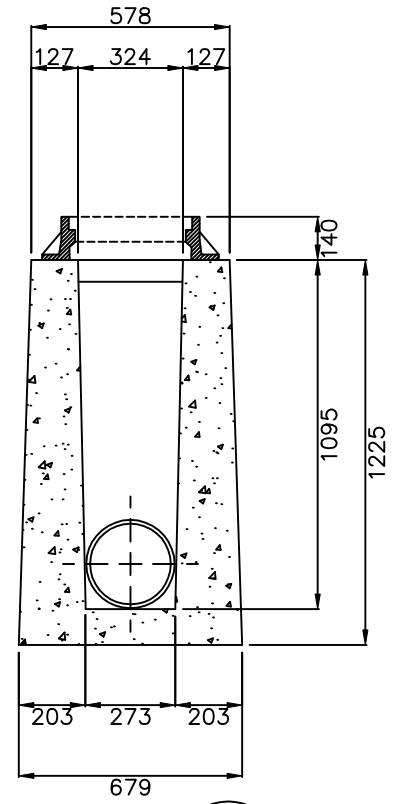
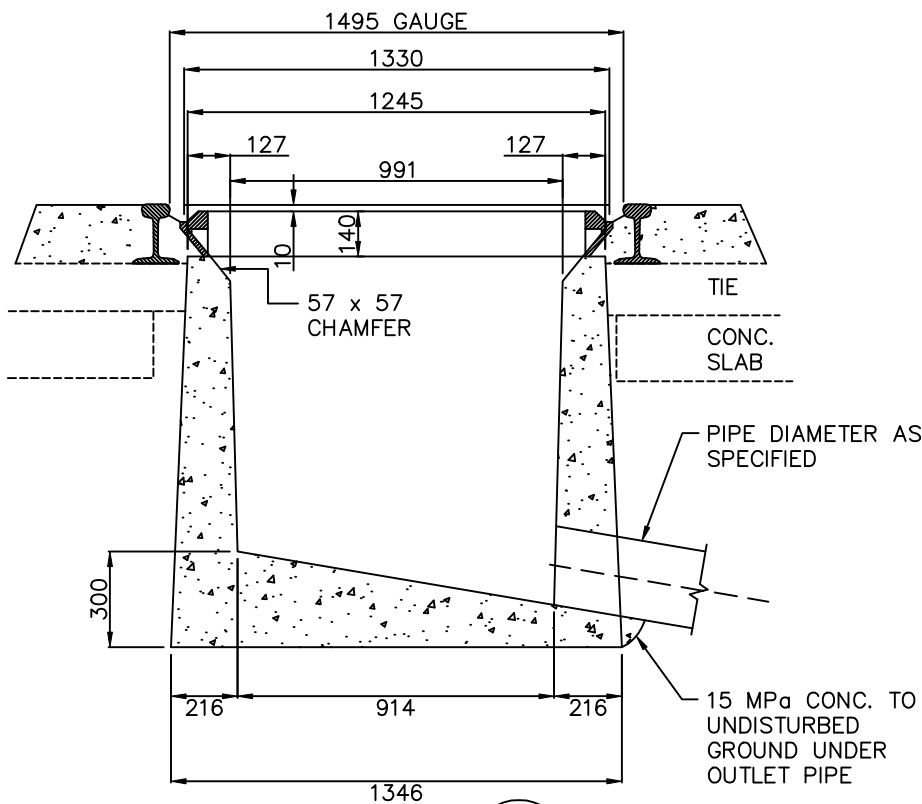


FOR COMPLETE DETAIL OF FRAME/GRATING SEE T.T.C. DWG. UNDER RA-717 ON FILE.



PLAN OF T.T.C. TRACK CATCH BASIN FRAME/GRATE DETAIL WITH CATCH BASIN (IN SECTION B)



SECTION A

SECTION B

NOTES:
C.I. FRAME/GRATING TO BE SUPPLIED BY T.T.C. OR AS SPECIFIED IN CONTRACT DOCUMENTS.

METRIC
ALL DIMENSIONS SHOWN HERE ARE IN MILLIMETRES UNLESS OTHERWISE NOTED

APPROVED BY
TOM DENES, P. ENG.
EXECUTIVE DIRECTOR TECHNICAL SERVICES

SCALE
N.T.S.



CATCH BASIN CHAMBER
FOR T.T.C. TRACK DRAIN

DATE: JUNE, 2001

REVISED:

STANDARD No.

T-610.020-2