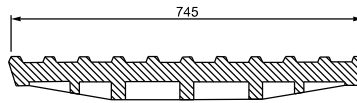
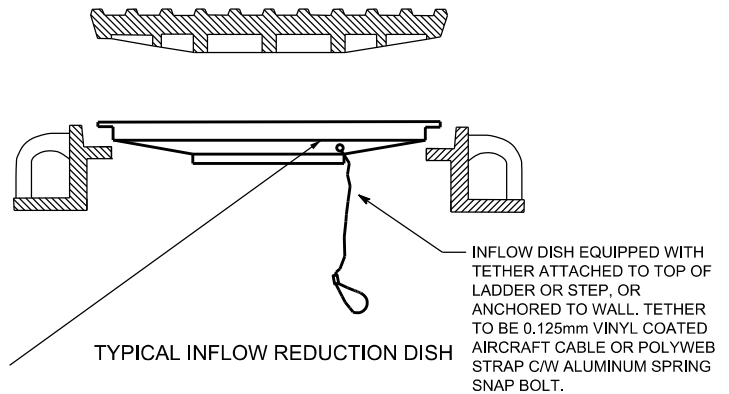
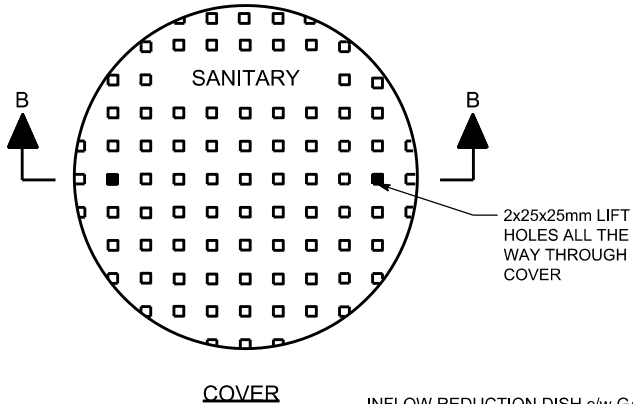


SECTION A-A



SECTION B-B



INFLOW REDUCTION DISH c/w GASKET
(2x5 mm HOLES TO BE DRILLED INTO BOTTOM OF DISH)
(CRETEX, OR APPROVED EQUIVALENT)
INFLOW DISH TO BE MADE OF HIGH
DENSITY POLYETHYLENE COPOLYMER
PER ASTM D-1248, CLASS A,
CATEGORY 5, TYPE III.

NOTES:

- REFER TO DRAWING OPSD 401.010, 401.020, 401.030 AND T-1120.06-3 FOR DETAILS PERTAINING TO PRECAST MAINTENANCE HOLES.
- THIS FRAME AND COVER SYSTEM IS INTENDED FOR INSTALLATION WITHIN THE RIGHT-OF-WAY. THE WORD "SANITARY" TO BE CAST INTO COVER WITH 50mm LETTERS.
- FRAME TO BE ATTACHED DIRECTLY TO PRECAST MAINTENANCE HOLE TOP. REFER TO DRAWING T-1120.06-1.
- ALL DIMENSIONS ARE NOMINAL.

All dimensions are in millimetres unless otherwise shown.



ENGINEERING & CONSTRUCTION SERVICES STANDARD DRAWING

**HEAVY DUTY MAINTENANCE HOLE
FRAME AND COVER
WITH INFLOW DISH**

REV 0

SEP 2019

T-1120.06-2

NTS

SHEET 1