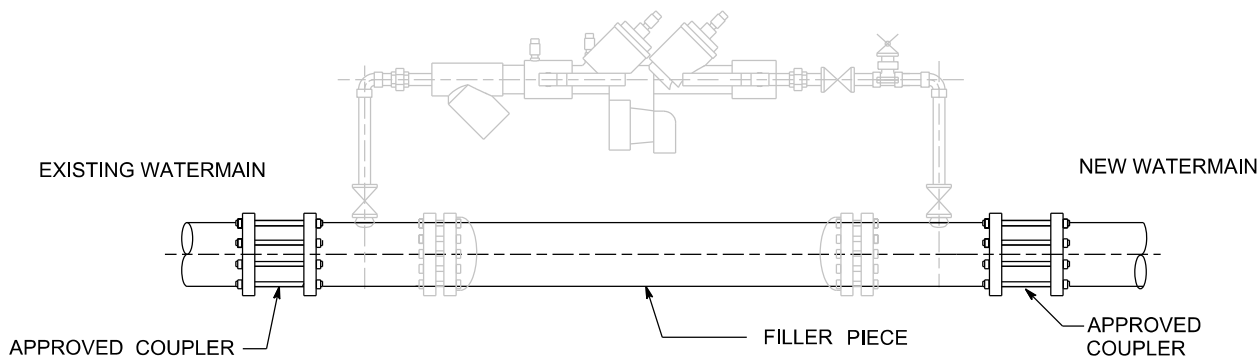


## BACKFLOW PREVENTION VALVE ASSEMBLY



## FINAL FILLER PIECE CONNECTION

### NOTES:

1. MINIMUM CLEARANCE BETWEEN BOTTOM OF RP RELIEF VALVE AND THE FLOOR IS 300 MM. RP BACKFLOW PREVENTERS SHALL NOT BE INSTALLED IN A BELOW-GRADE PIT OR VAULT.
2. THE BACKFLOW PREVENTION ASSEMBLY SHALL BE REMOVED DURING WATERMAIN PRESSURE TESTS.
3. FOR 150 OR 200 mm DIA. MAINS, A 50 mm DIA. BYPASS SHALL BE INSTALLED. FOR 300 mm AND LARGER, A 100 mm DIA. BYPASS SHALL BE INSTALLED.
4. THE FINAL FILLER PIECE CONNECTION OF THE WATERMAIN SHALL BE COMPLETED ONLY AFTER AUTHORIZATION BY THE CITY.
5. THE WATERMAIN SHALL BE DRAINED BY CONTROLLED MEANS. SUFFICIENT TRENCH DEWATERING CAPACITY SHALL BE USED WHEN THE EXISTING AND NEW WATERMAINS ARE DRAINED PRIOR TO THE FINAL FILLER PIECE CONNECTION TO ENSURE NO BACKFLOW ENTERS EITHER WATERMAIN.
6. THE WATERMAIN SHALL BE CUT BACK TO REMOVE THE TAPPING POINTS OF THE BACKFLOW PREVENTION VALVE ASSEMBLY. ENSURE FILLER PIECE IS LESS THAN 6.1 m AND DISINFECTED ACCORDING TO TS 7.30.
7. ALL NEW PIPING AND APPURTENANCES PLACED IN THE CONNECTION SHALL BE THOROUGHLY DISINFECTED WITH 5% SOLUTION OF SODIUM HYPOCHLORITE OR EQUIVALENT.
8. ON NON-METALIC WATERMAINS, THE TRACING WIRE SHALL BE CONNECTED TO THE COUPLER ONLY IF THE COUPLER IS NOT IN CONTACT WITH A METALIC WATERMAIN OTHERWISE TERMINATE TRACER WIRE WITH AN ANODE.
9. A PHYSICAL SEPARATION MUST BE MAINTAINED AT ALL CONNECTION POINTS OF NEW WATERMAINS TO THE EXISTING SYSTEMS UNTIL BACTERIOLOGICAL TESTS HAVE PASSED. A SAMPLING TAP MUST BE PROVIDED AT THE END OF EACH BRANCH OR STUB.
10. ONLY TORONTO WATER STAFF ALLOWED TO OPERATE CITY OWNED VALVES.
11. THIS DETAIL IS FOR SCHEMATIC INFORMATION ONLY. THE ACTUAL CONFIGURATION USED MUST SATISFY THE INTENT OF THIS DRAWING.

All dimensions are in millimetres unless otherwise shown.



ENGINEERING & CONSTRUCTION SERVICES STANDARD DRAWING

REV 3

SEP 2019

**RP CONNECTION DETAIL FOR ABOVE GRADE INSTALLATION DURING DISINFECTION**

**T-1104.03-4**

NTS

SHEET 1