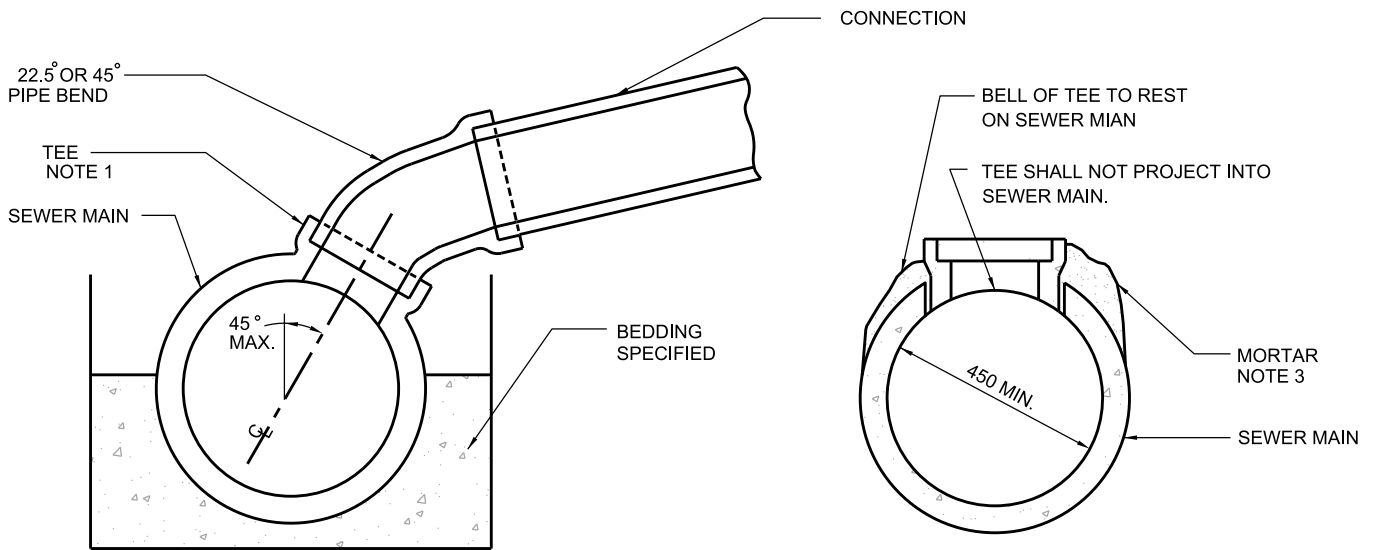


NOTES:

1. FOR SEWERS SMALLER THAN 450 mm DIA. CONNECTIONS SHALL BE MADE USING APPROVED FACTORY MADE TEES. FOR ALL OTHER SIZES, EITHER FACTORY MADE TEES OR APPROVED SADDLES MAY BE USED.
2. CONCRETE SHALL BE MINIMUM 15 MPa AT 28 DAYS.
3. MORTAR TO BE 1:3 MORTAR MIX.

RISER DETAIL



CONNECTION WITHOUT RISER

FIELD INSTALLED TEE FOR CONCRETE CONNECTIONS

All dimensions are in millimetres unless otherwise shown.



ENGINEERING AND CONSTRUCTION SERVICES STANDARD DRAWING

REV 1

APR 2013

**DRAIN AND SEWER CONNECTIONS
FOR CONCRETE PIPE
FOR SEWERS 600 mm DIA. OR SMALLER**

T-708-01

NTS

SHEET 1