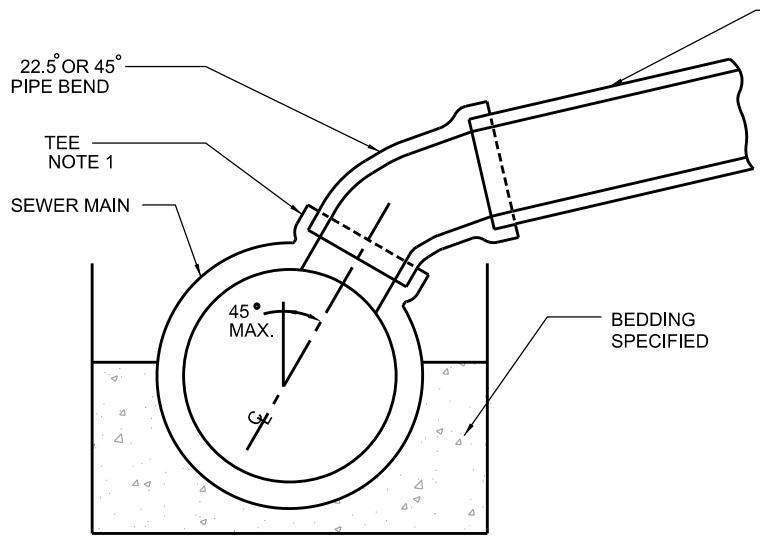
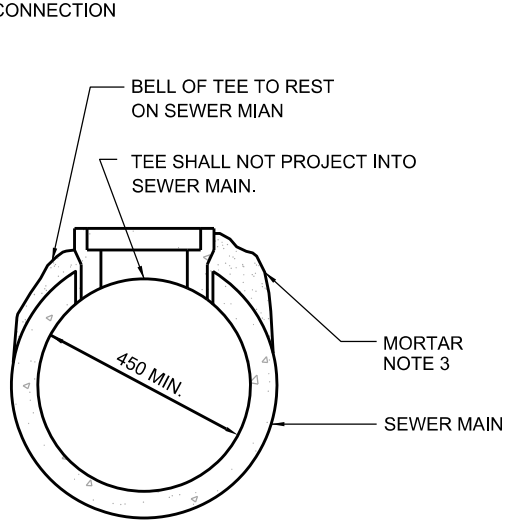


- NOTES:
1. FOR SEWER MAINS SMALLER THAN 450 mm DIA. CONNECTIONS SHALL BE MADE USING APPROVED FACTORY MADE TEES. FOR ALL OTHER SIZES, EITHER FACTORY MADE TEES OR APPROVED SADDLES MAY BE USED.
 2. CONCRETE SHALL BE MINIMUM 15 MPa AT 28 DAYS.
 3. MORTAR TO BE 1:3 MORTAR MIX.

RISER DETAIL



CONNECTION WITHOUT RISER



FIELD INSTALLED TEE FOR CONCRETE CONNECTIONS

All dimensions are in millimetres unless otherwise shown.

	ENGINEERING & CONSTRUCTION SERVICES STANDARD DRAWING		REV 2	SEP 2020	
	RIGID SEWER SERVICE CONNECTIONS / CATCHBASINS LEADS CONNECTED TO RIGID SEWER MAIN PIPE			T-708.01	
				NTS	SHEET 1