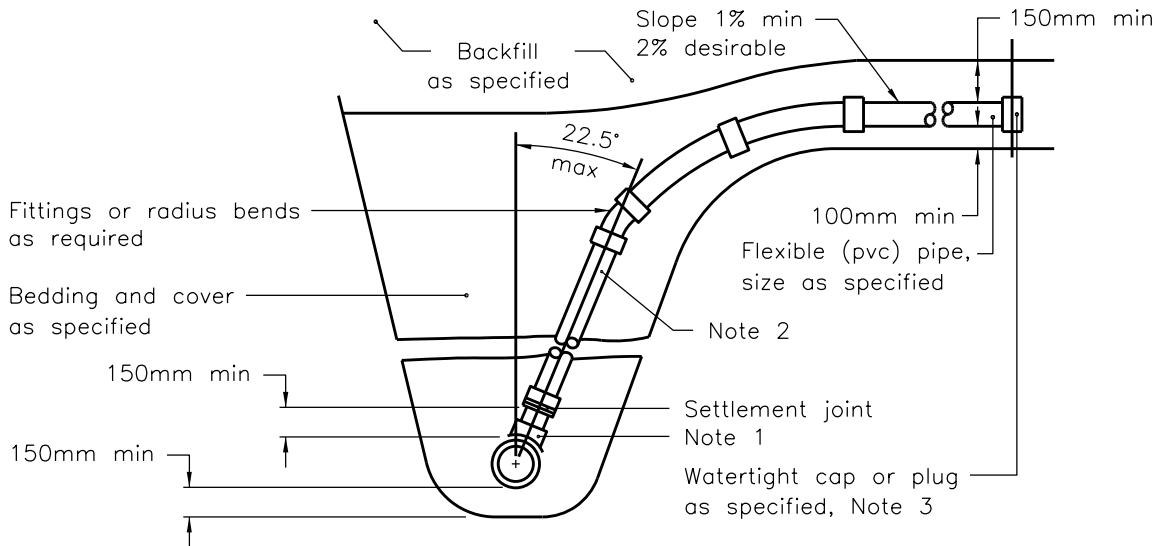


CONNECTION WITHOUT VERTICAL RISER



CONNECTION WITH VERTICAL RISER

NOTES:

- 1 Sewer service connections to the main pipe sewer shall be made using factory made tees, strap-on-saddles, or other approved saddles.
- 2 Vertical risers shall be as specified.
- 3 For sewer service connections, cap or plug at property line shall be adequately braced.
- A Maintenance holes shall be used at the main sewer pipe to connect sewer service connection of size greater or equal to half size of the sewer main pipe.
- B For new construction, saddles shall be installed on the main pipe before that pipe is laid.
- C Approved cut-in tool shall be used for field made connections.
- D All dimensions are in millimetres unless otherwise shown.

All dimensions are in millimetres unless otherwise shown.



ENGINEERING & CONSTRUCTION SERVICES STANDARD DRAWING

**FLEXIBLE SEWER SERVICE CONNECTIONS
/ CATCHBASIN LEADS CONNECTED TO
FLEXIBLE / RIGID SEWER MAIN PIPES**

REV 0

SEP 2020

T-1006.010

NTS

SHEET 1