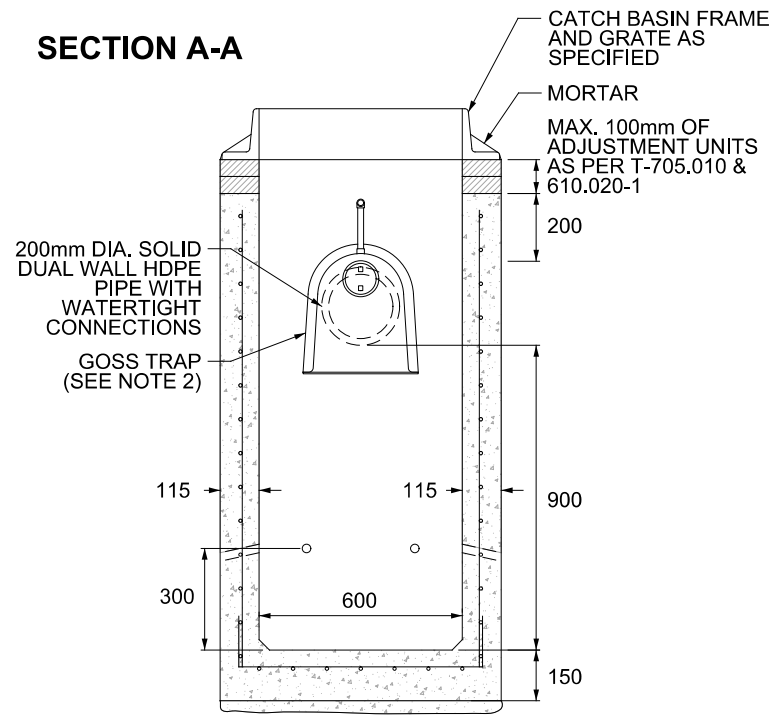
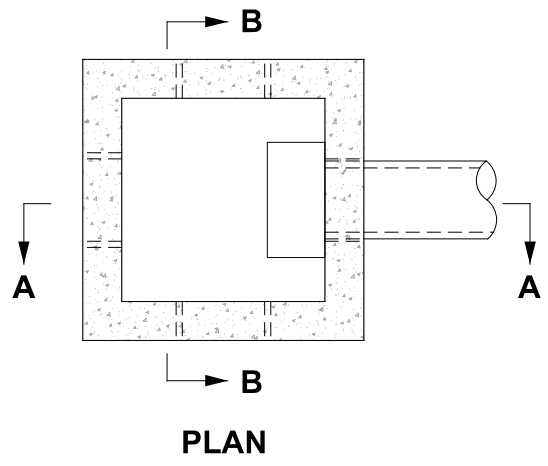


SECTION A-A



SECTION B-B

- NOTES:
1. INSTALL 200mm VERTICAL CLEANOUT WITHIN GREEN INFRASTRUCTURE SYSTEM IN LINE WITH INLET PIPE (REFER TO CONTRACT DRAWINGS FOR LOCATION).
 2. GOSS TRAP SHALL BE REMOVABLE OR INCLUDE EYELET OPENING FOR INSPECTION AND MAINTENANCE.

All dimensions are in millimetres unless otherwise shown.

	ENGINEERING & CONSTRUCTION SERVICES STANDARD DRAWING	REV 0	SEP 2021
	CATCH BASIN UNDERGROUND INLET	T-850.104	
	LAYOUT AND SECTIONS	NTS	SHEET 4