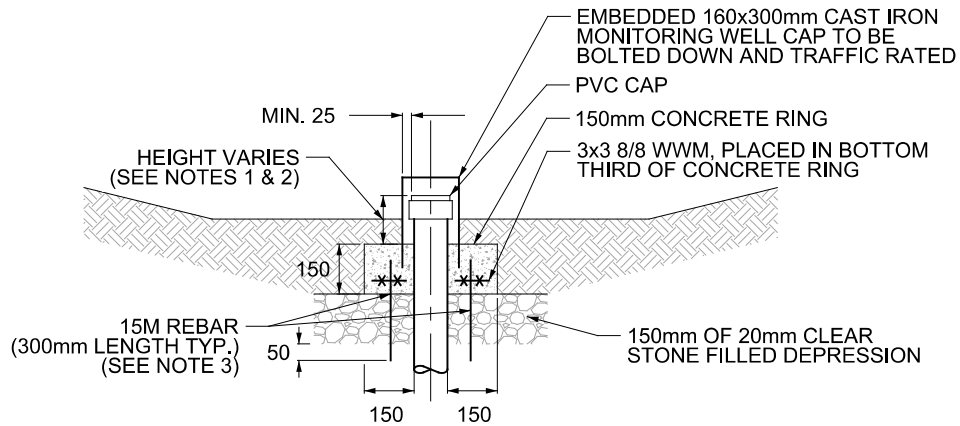


MONITORING WELL IN TYPICAL CONDITION

MONITORING WELL IN MEMBRANE LINED CONDITION



MONITORING WELL IN UNPAVED CONDITION

- NOTES:
1. FOR MONITORING WELLS LOCATED WITHIN PLANTED OR PONDING AREAS OF GREEN INFRASTRUCTURE, PVC CAP SHALL EXTEND 75mm ABOVE PONDING DEPTH.
 2. MONITORING WELLS LOCATED IN PAVED AREAS OR AREAS REQUIRING MOWING SHALL BE FLUSH WITH THE FINISHED GRADE.
 3. FOR MONITORING WELLS LOCATED IN UNPAVED AREAS, VERTICALLY PLACE THREE (3) LENGTHS OF REBAR EVENLY SPACED AROUND COLLAR, AND 75mm FROM OUTER EDGE.

All dimensions are in millimetres unless otherwise shown.



ENGINEERING & CONSTRUCTION SERVICES STANDARD DRAWING

MONITORING WELL
SECTIONS

REV 0 SEP 2021

T-850.041

NTS SHEET 1