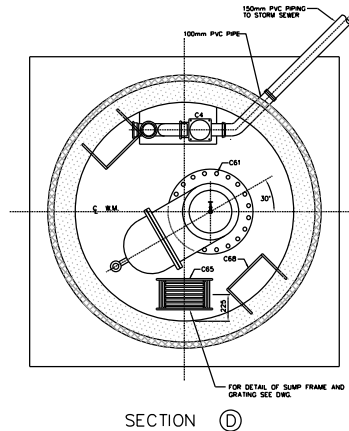
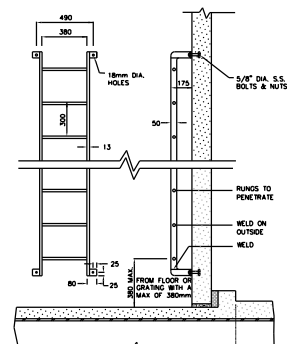


PLAN

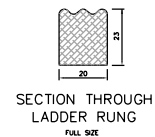


SECTION D



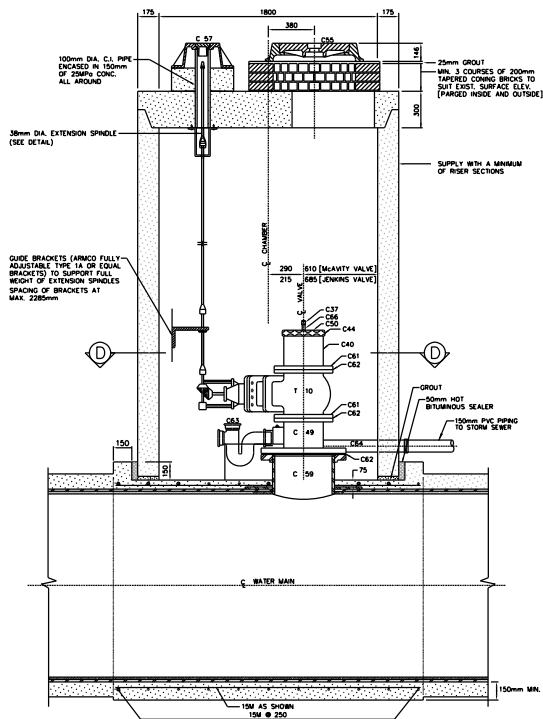
REMOVABLE ALUMINUM LADDER

NOT TO SCALE

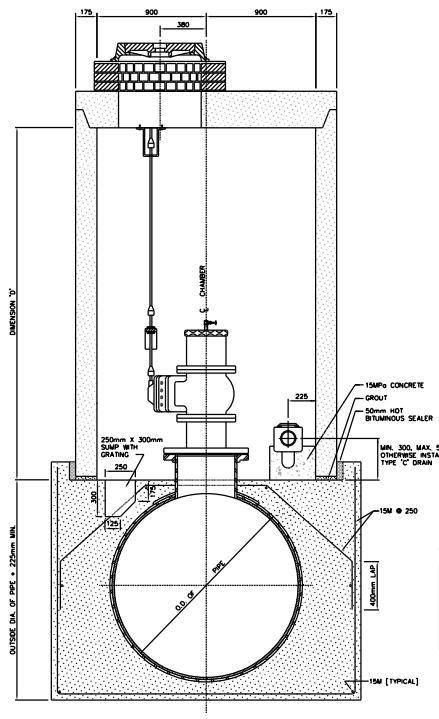


SECTION THROUGH LADDER RUNG

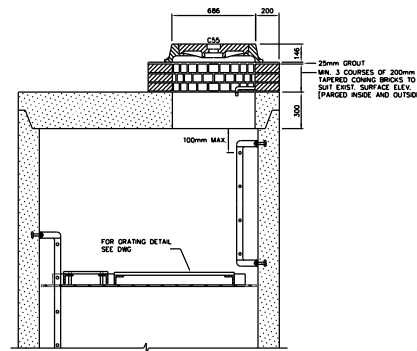
FULL SIZE



SECTION A



SECTION B



SECTION C

CHAMBERS

CHAMBER No.	CHARANGE	SURFACE ELEV.	WATERMAIN ELEV. IN METRES	DIFFERENCE IN ELEV. IN METRES	3' DIA.	DRAIN TYPE	COVER LOCATION	FOR LOCATION REFER TO PLAN No.

MATERIAL LIST / PER CHAMBER

MARK No.	SUPPLIED BY CONTRACTOR	MARK No.	SUPPLIED BY CONTRACTOR
C49	1-FABRICATED S.S. 300mm NOZZLE	C4	1-100mm BACKWATER CHECK VALVE
C59	1-FABRICATED S.S. MAINTENANCE HOLE FRAME	C40	1-300mm FABRICATED S.S. FL. TO WCT.
C81	20-W30 x 125mm S.S. BOLTS & NUTS	C44	1-300mm WCT. COUPLING (STYLE 44 SHOULDERS)
C81	12-W24 x 95mm S.S. BOLTS & NUTS	C50	1-300mm S.S. WCT. BLIND FLANGE WITH 20mm SCREWED S.S. PLUG
C81	CINCH ANCHORS WITH W16 DIA. S.S. BOLT & NUT	C57	1-SMALL ROUND TOP
C82	1-MAINTENANCE HOLE GASKET (FULL FACE, ONE PIECE)		
C82	1-300mm GASKET (FULL FACE, ONE PIECE)		
C83	1-100mm TRAP WITH CLEANOUT & COVER		
C84	1-100mm PVC PIPING AND 1-150mm TO 100mm REDUCER		
C85	1-SUMP FRAME & GRATING (ALUMINUM)		
C88	STANDARD ALUMINUM STEPS OR LADDERS AND GRATING		
C86	1-20mm x 100mm (L.S. 25304) SCH40 NIPPLE, THREADED, TAPERED ENDS		
C80	30mm STEEL EXTENSION STEM & BRACKET		
C37	1-20mm BALL VALVE, SS BODY/BALL, TEFLON SEAT, SCREWED		
C56	1-CAST IRON SQUARE FRAME WITH CIRCULAR COVER AND FLUG FOR VALVE CHAMBERS AS PER OPSD-462.010		

• SUPPLY ONLY IF REQUIRED FOR DETAILS OF C49 AND C59 SEE DWG.



Toronto Engineering & Construction Services

Title

Subtitle1

Subtitle2

PRECAST 300 mm DRAIN VALVE AND M.H. CHAMBER

GENERAL MANAGER, TORONTO WATER	DIRECTOR, Design and Construction Linear Underground Infrastructure
CHEF ENGINEER AND EXECUTIVE DIRECTOR, Engineering & Construction Services	MANAGER, Design and Construction Linear Underground Infrastructure

DESIGN	Design	DRAWN	Drawn	CHECKED	Checked	CONTRACT No. X-X
SCALE	SCALE	DRAWING NUMBER	T-1110.07-6	SHEET	X OF X	
DATE	DATE					

No.	DATE	REVISIONS	INITIAL	SIGNED