

FRAME & GRATE
AS SPECIFIED

15 mm PARGING

MAX. 300 mm OF
BRICK OR PRECAST
ADJUSTMENT UNITS

TAPERED TOP
SEE ALTERNATIVE
C AND D

RUBBER GASKET
IN RISER JOINTS

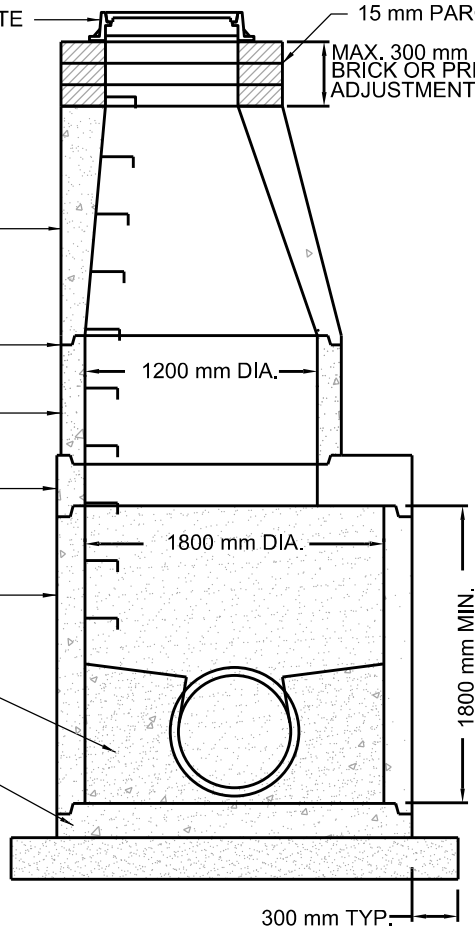
RISER SECTIONS
AS REQUIRED

TRANSITION SLAB
SEE ALTERNATIVE B

RISER SECTIONS
AS REQUIRED

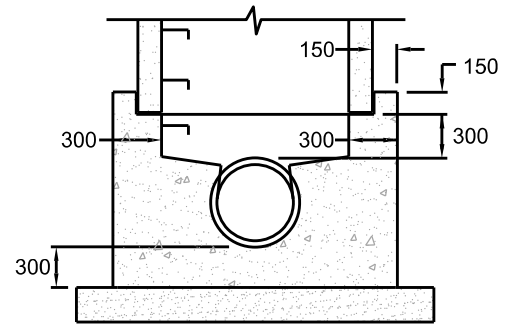
BENCHING OR SUMP
NOTE 1

PRECAST SLAB BASE
SEE ALTERNATIVE A

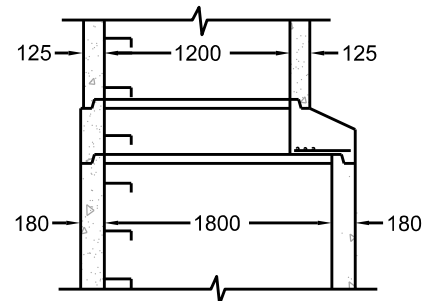


ALTERNATIVES

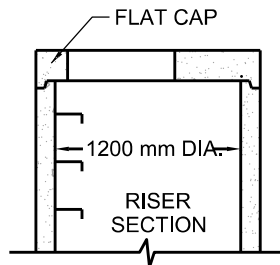
A CAST IN PLACE BASE



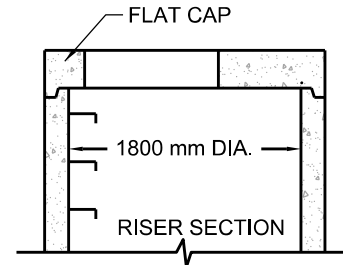
B TAPERED TRANSITION SLAB



C 1200 mm PRECAST FLAT CAP



D 1800 mm PRECAST FLAT CAP



NOTES:

1. FOR SUMP DETAIL SEE T-701.010.
2. 150 mm OF COMPACTED GRANULAR A OR UNSHRINKABLE FILL TO BE PLACED ALL AROUND THE MAINTENANCE HOLE.
3. PRECAST CONCRETE COMPONENTS ACCORDING TO OPSD 701.050, OPSD 701.051, OPSD 703.012 AND OPSD 703.022
4. STRUCTURES EXCEEDING 4.5m IN DEPTH TO INCLUDE SAFETY PLATFORM ACCORDING TO OPSD 404.020.
5. PIPE SUPPORT ACCORDING TO T-708.020.
6. FOR BENCHING DETAILS, MAXIMUM PIPE HOLE DIAMETERS AND FLOW CONFIGURATIONS, SEE T-701.021.
7. ALL DIMENSIONS ARE NOMINAL.
8. PARGING SHALL BE 1:3 MORTAR MIX.
9. WATERPROOFING OVER PARGING TO BE TWO HEAVY COATS OF BITUMEN.
10. WHERE PIPES JOIN AT MAINTENANCE HOLE, JOINTS ARE TO BE WATERTIGHT WITH THE APPROVED SEAL.
11. FIRST STEP TO BE 75 mm TO 300 mm BELOW FRAME. LAST STEP TO BE 300 mm ABOVE BENCHING OR 600 mm ABOVE INVERT IF NO BENCHING.

All dimensions are in millimetres unless otherwise shown.



ENGINEERING AND CONSTRUCTION SERVICES STANDARD DRAWING

REV 4

SEP 2021

**PRECAST MAINTENANCE HOLE
1800 mm DIAMETER**

T-701.012-1

NTS

SHEET 1