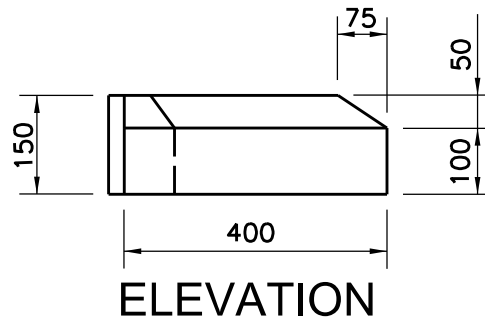


CROSS-SECTION (TYP)



ELEVATION

NOTES:

1. L8 AGGREGATE, GRAY CEMENT, AND A SANDBLASTED FINISH.
2. 2 X 10M REINFORCING BAR PER PIECE.
3. 2 X 19MM VOIDS THROUGH EACH PIECE AS DIMENSIONED.

All dimensions are in millimetres unless otherwise shown.



ENGINEERING & CONSTRUCTION SERVICES STANDARD DRAWING

**CURBSTONE ISLAND DETAIL - 5**

REV 0

SEP 2021

**T-603.036**

NTS

SHEET 1