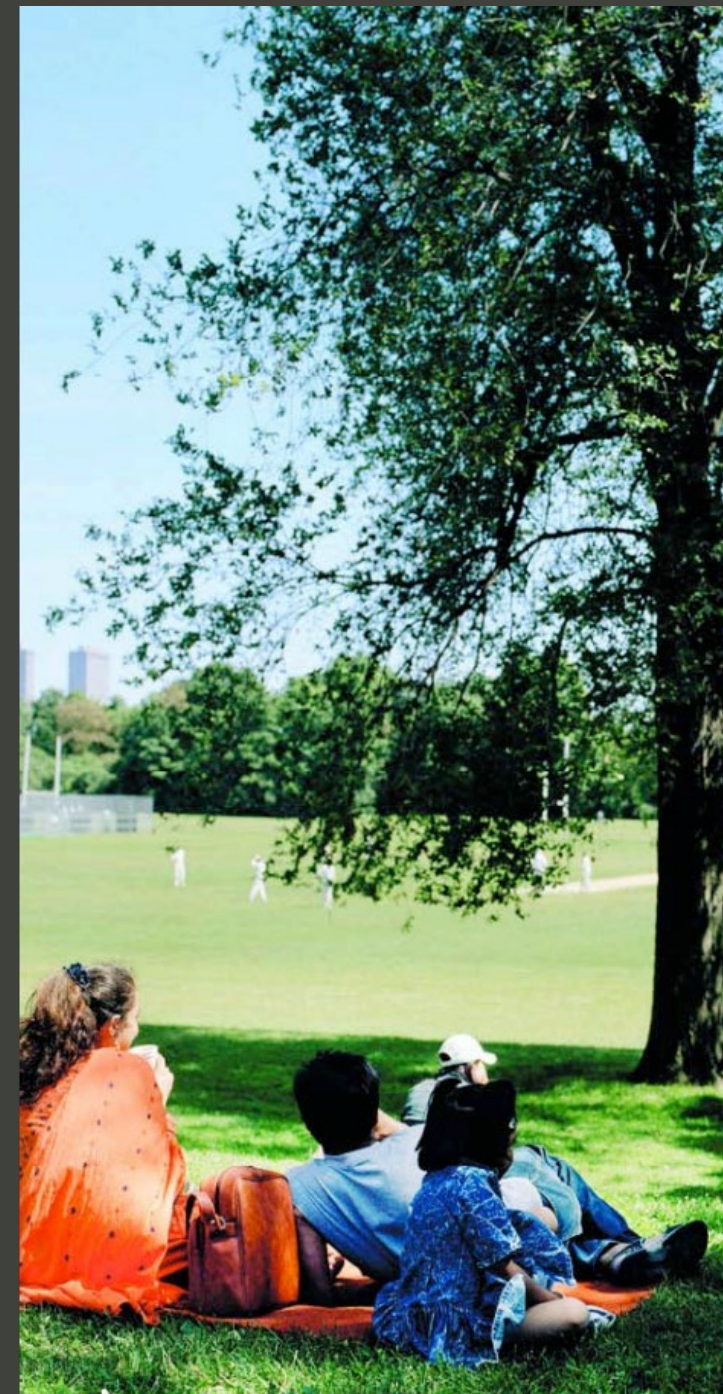


City of Toronto Cricket Reference Group

Meeting 6 – Tuesday April 12th, 2022
7:00-8:30 p.m.



Land Acknowledgement

I'd like to begin by honouring the land that I'm on. If you are not currently in Toronto, I encourage you to learn about the lands you're on.

We acknowledge the land we are meeting on is the traditional territory of many nations including the Mississaugas of the Credit, the Anishnabeg, the Chippewa, the Haudenosaunee and the Wendat peoples and is now home to many diverse First Nations, Inuit and Métis peoples. We also acknowledge that Toronto is covered by Treaty 13 with the Mississaugas of the Credit.



Mandate:

The Cricket Reference Group (CRG) will aim to provide perspective, guidance and expert advice to the City of Toronto Parks, Forestry & Recreation (PFR) Division on building organizational capacity and increasing access to community cricket programs and facilities across the city.

The CRG is a non-political advisory body that will provide a forum feedback, guidance and advice to the City of Toronto to inform the development and implementation of the City's new Cricket Strategy.



**Thank you for
being with us again!**

Agenda



Welcome Back, Webex Tips and Introductions



Updates & Announcements



Presentation:

- Cricket Pitch Design Standards – Update and discussion
- Permit Allocation Policy – Overview and discussion
- Field Maintenance Standards – Updates and discussion



Next Steps

thank
you!

Adjourn at 8:30 pm



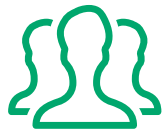
Meeting Participation



All participants are currently muted for the presentation.




You will be able to participate in discussion by using the raise hand feature, or through the chat bar.

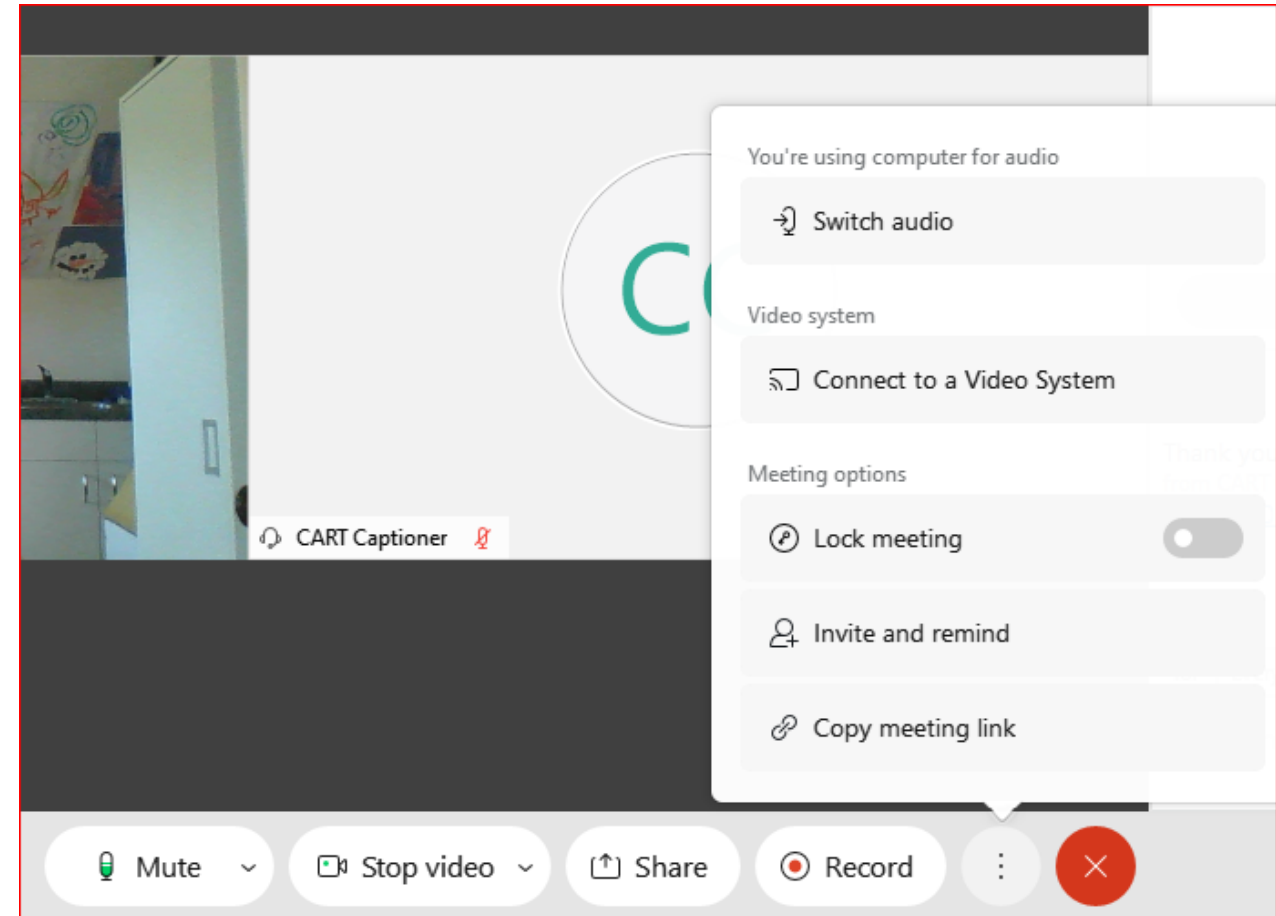


Make space to hear from and listen to all participants. **Share speaking time** and do not talk over others.



Webex Audio Trouble?

1. Click the **More Options** button at the bottom of the screen 
2. Click **Switch Audio**
3. Use the **Call me at** function
 - a) Enter your phone number
 - b) Webex will call your phone (no long distance charges)



Parks Forestry & Recreation Staff

Alex Lavasidis – Sr. Public Consultation Coordinator

Kathleen Stevens – Landscape Technologist

Kevin Carr – Manager, Client & Business Services

Matt Bentley – Project Manager, Parks and Recreation Facilities Master Plan

Pamela Ferrante – Supervisor, Client Services

Peter White – Manager, Parks Toronto East York

Susan Fall – Supervisor, System Planning



17 Cricket Organizations

Md Akib Akhter - Bangla Warriors Cricket Club **new!**
Akshay Pandya - Cricket Canada Masters Council
Amir Butt - Toronto Police Cricket Club
Azeem Khan - Ontario Twilight Softball Cricket League
Dharmwandra Kumar Jaipersaud - Ontario Softball Cricket League
Heather Mitchell - Community Sport Collective (*formerly Toronto Sports Council*)
Ian Baldeo – Ontario Softball Cricket League **new!**
Kannan Rajagopal – Cricket Player
Keith Deonaraine - Cricket Canada
Melvin John – Canadian Police Cricket Club
Praim Persaud - Brampton-Etobicoke and District Cricket League
Ranil Mendis - CIMA
Shah Saleem Zafar - Cricket Ontario
Shiv Persaud - Scarborough Cricket Association
Wendy Kane - Global T20 Canada

Updates & Announcements

Opportunity for all members to share cricket news

Name this park



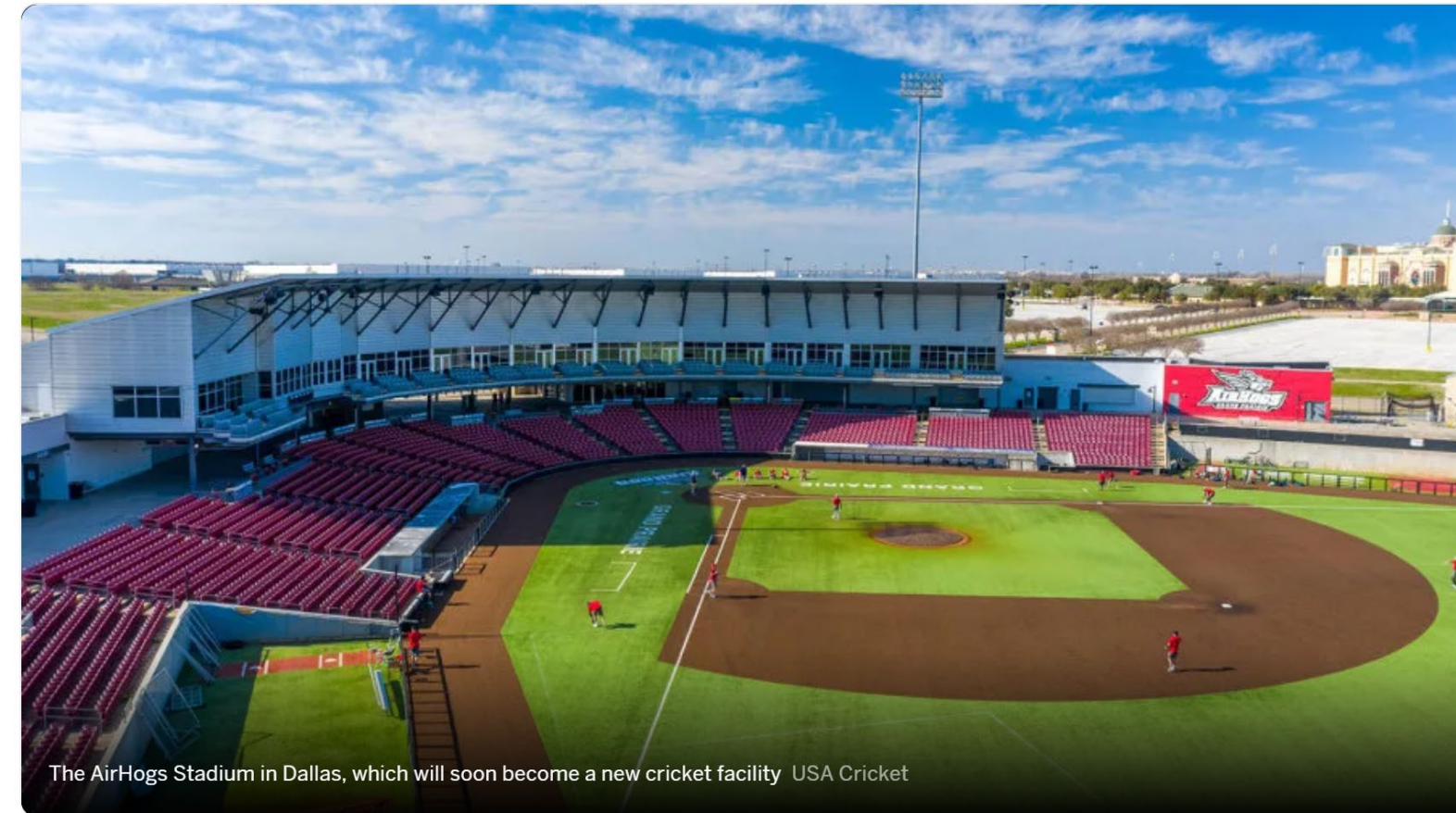
USA T20 franchise league MLC projected to spend \$110 million on facilities ahead of 2023 launch

Plans being formulated to renovate a total of eight venues around the USA



Peter Della Penna

18-Mar-2022



The AirHogs Stadium in Dallas, which will soon become a new cricket facility USA Cricket

- Aside from five venues already in existence earmarked for upgrades, MLC is in negotiations to secure land and build new venues at Marymoor Park in the eastern Seattle suburb of Redmond, Washington; as well as two California venues - one proposed for the Santa Clara County Fairgrounds in San Jose, and the other in Orange County south of Los Angeles.

[USA T20 franchise league MLC projected to spend 110 million on facilities ahead of 2023 launch \(espn.com\)](https://www.espn.com/cricket/story/_/id/3248481/usa-t20-franchise-league-mlc-projected-to-spend-110-million-on-facilities-ahead-of-2023-launch)



Cricket is for everyone. And Ontario schoolkids could use a little joy, especially girls

The pandemic has given the Ontario Schools Cricket Association's founders time and space to launch while exacerbating the need for the active outlet they're promoting.



By **Joe Callaghan** Special to the Star
Sat., Feb. 26, 2022 | 5 min. read

Article was updated Feb. 27, 2022



[Cricket is for everyone, and Ontario kids could use a little joy | The Star](#)

"A lot of challenges that kids may have been facing with sports and staying active, well, they didn't actually start from such a good place," Buckle told the Star. "The pandemic screwed things up doubly. Now we have redouble our efforts."

In truth, the pair had been putting in the work for years. The pandemic merely gave them the breathing room to finally figure out how to redouble efforts. They set up the Ontario Schools Cricket Association (OSCA) in 2020. It was partly an exercise in rebranding.

Mendis and Buckle are both immigrants to Canada. They're also management accountants. The Chartered Institute of Management Accountants, or CIMA, brought them together in the same way the British-based professional body has brought so many newcomers here together: on a cricket oval.

"CIMA, it's 102 years old and historically was quite popular in Commonwealth countries — 97 per cent of our members in Canada are immigrants, primarily from Commonwealth nations," said Buckle, originally from England. "One of the few things we have in common, apart from double-entry bookkeeping, is cricket."

Congratulations
Ranil!!



Toronto is losing its pitch battle: As cricket's popularity soars, players are heading to the suburbs

Toronto has a multi-year plan to meet the soaring demand for cricket facilities, but players say it may be too little too late.



By **Noor Javed** Staff Reporter
Tue., March 15, 2022 | 6 min. read

JOIN THE CONVERSATION



[Toronto's cricket fields are losing a GTA pitch battle | The Star](#)

"Toronto used to be the leading cricketing city 20 years back, but if you look at what they have done to support cricket since, it's zero — nil," said Khan, a board member the Toronto District Cricket Association (TDCA), which includes more than 100 clubs.

"If you go out in Toronto in the summer, you will literally see baseball fields with the lights on and no one is even there. We don't have a single cricket field in the entire city with lights."

"The plan doesn't do much for us now, and won't do much for us in two decades," said Khan.

Shiv Persaud, president of the Scarborough Cricket Association, is part of the steering committee. He called the city's effort a good start, but said it was hardly enough to meet demand today — much less two decades out.

"We can't wait 20 years for a solution, and that's what they are telling us to do," he said. "So, who's going to fix the problems we have now?"

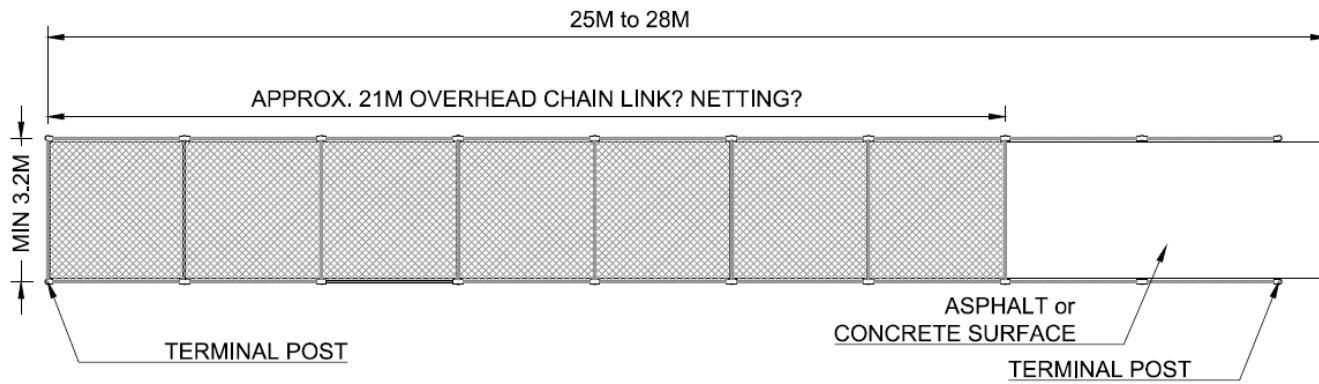


**Any additional updates
or announcements?**



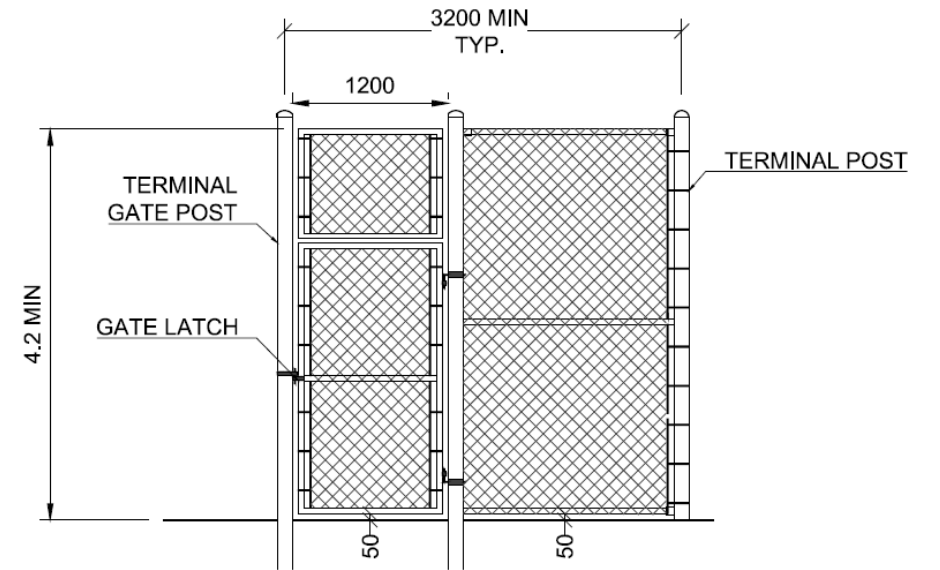
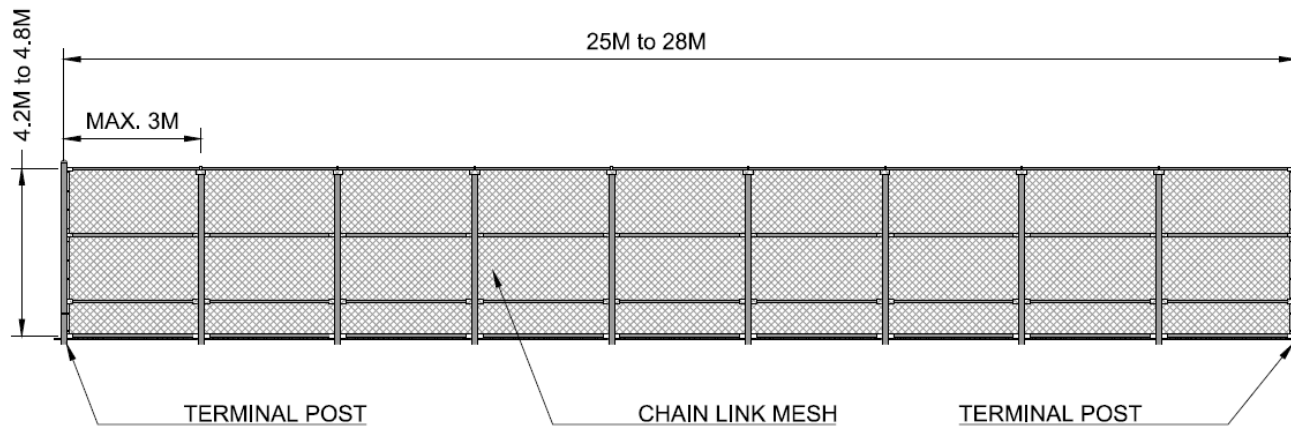
Design Standards

Practice Pitch



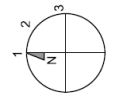
Updates from last session...

Exposed concrete or artificial turf?

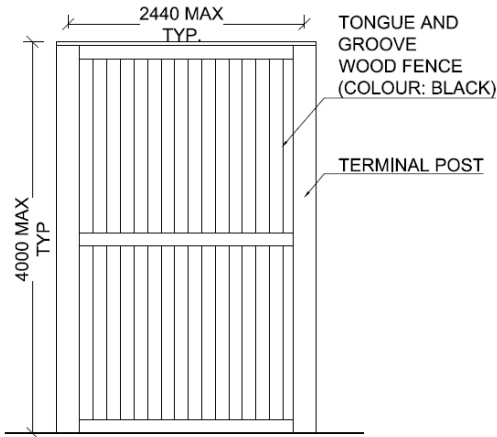


Screen

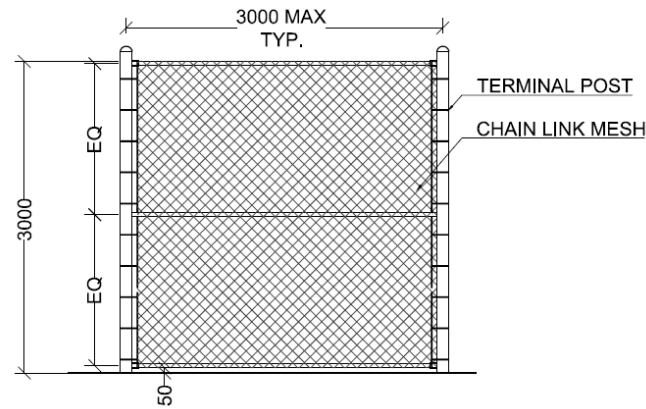
FIELD ORIENTATION



(1=best, 3=least preferred)

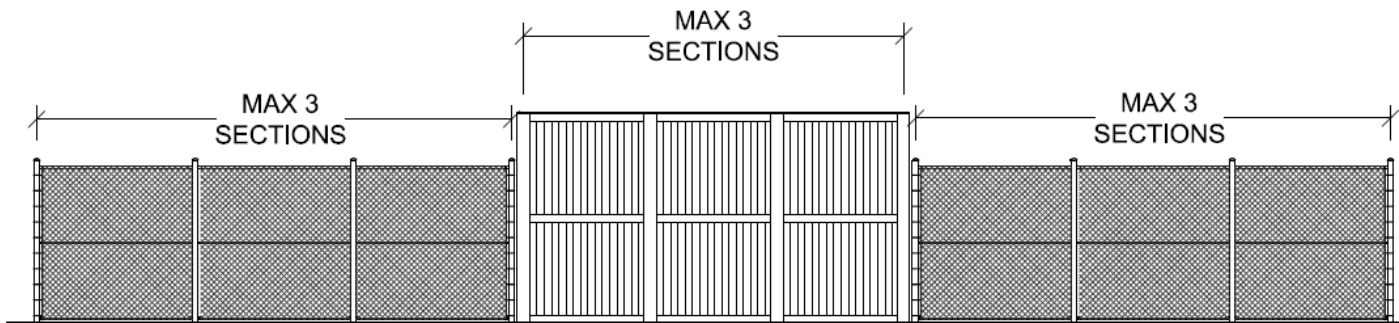
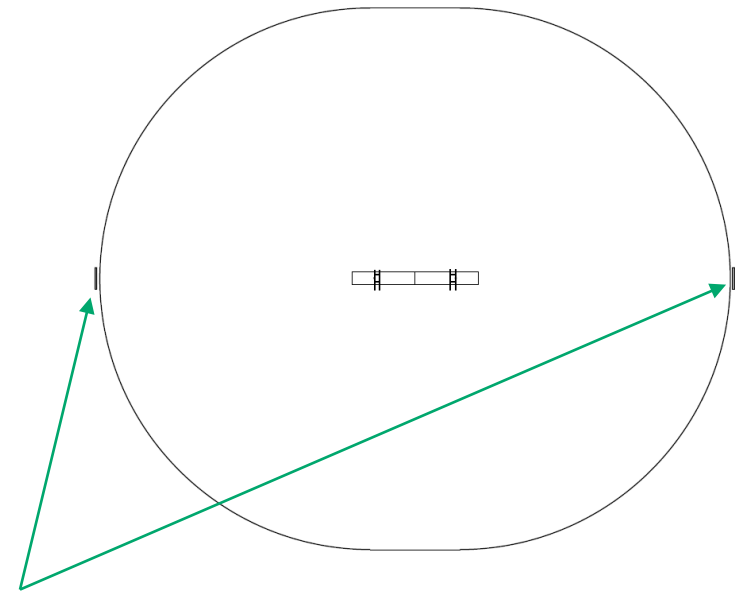


**4m x 2.4m
Wood Fence
Section**



**3m x 3m
Chain Link Fence
Section**

**Screen
Locations**



Example

Is 4.2m tall enough for the central screen?

What are the minimum number of panels?

How far outside of the field of play does the screen need to be?

Permit Allocation & Booking Space

Allocation Policy Statement

The Parks Forestry and Recreation (PFR) Division will endeavor to provide fair and equitable access to its facilities to organizations and individuals across the City of Toronto.



Permit Allocation Policy Framework

When the demand for time at PFR facilities exceeds the available hours, the allocation policy will be used for permit allocation in all facilities in all wards of the City of Toronto



How it works: Priority Use by Participant Category

- Parks and Recreation Division programs and services such as registered classes, drop-in programs and events will be allocated permits prior to all other groups
- Following city programming, groups are considered in priority order:
 1. Resident Community Youth and Children (Ages 0 to 18)
 2. Resident Community Seniors (60+) and Adult (Ages 19 to 59)
 3. Not for Profit Community Groups
 4. Private and Commercial Groups and Individuals
- Priority will be given to groups whose activities are in line with the activities for which the facility/space was designed
- Health, safety and asset protection will also determine access to facilities (e.g., no full-team adult games on mini-soccer fields, no basketball in heritage facilities, etc.)



Definitions: Permit Allocation Process

- Not for Profit Organization
 - Volunteer trustees or a board of directors governs the organization and there is no personal financial gain for members, trustees or directors. Any excess of revenues over expenditures are turned back into the organization and funds can only be used for promoting its organizational purpose.
- Recreation Activities
 - Programs and activities that are recreational, cultural or leisure focused such as, but not limited to, aquatics, arts, camps, crafts, festivals, heritage, hobbies, fitness and wellness, sports and life skills.
- Residency
 - Residents are people who live in, own property in or own or operate a business in the City of Toronto.
- Under-Represented Groups
 - Under-represented groups refer to those identified by the City of Toronto Access and Equity Task Force as being under-represented based on their percentage of the population. Groups include: females; Aboriginal; disabled; lesbian, gay, bisexual, transgender; and racial.



When to apply

Sports field application timelines:

Facility Type	Season	Application Deadline	Permit Issued
Outdoor Sports Fields	May to September	December 2021	March 2022
Outdoor Turf	Mid-March to November	December 2021	March 2022
Stadiums	April to November	December 2021	March 2022
Bocce Courts	May to September	Automatic renewal and waitlist – December	June 2022
Lawn Bowling	May to October	December 2021	March 2022
Tennis Courts	May to October	February 2022	March 2022
Volleyball Courts	Summer	December 2021	March 2022



Do you have questions about how the permit policy or process works?

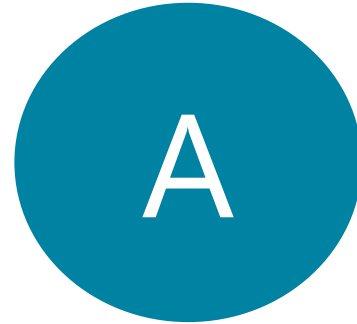


Field Maintenance

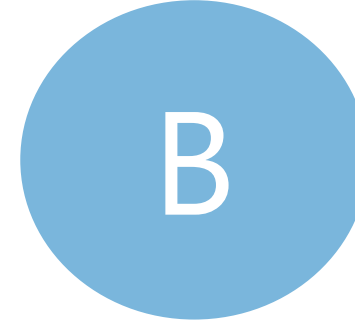
Cricket and Sports Field Classifications



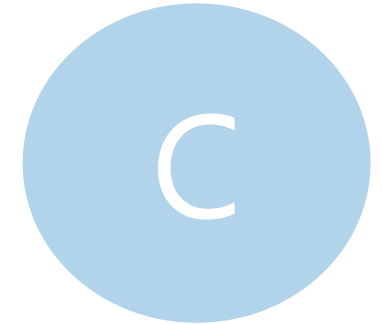
Adult Sized Field
Irrigated
Dedicated Staff
Lining
Cut 3x per week
Aerified 4x annually
Fertilized 3x annually
Overseeded 4x annually
Topdressed 2 x annually



Adult Sized Field
Irrigated & Lit
Cut 2x per week
Aerified 4 x annually
Fertilized 3x annually
Overseeded 4x annually
Topdressed 2 x annually



Irrigated
Cut 2x per week
Aerified 2x annually
Fertilized 2x annually
Overseeded 3x annually
Topdressed 1x annually



Cut 1x per week
Aerified 1x annually
Fertilized 1x annually
Overseeded 1x annually
Topdressed 1x annually

[Facility Classifications and Ratings - City of Toronto](#)

New Field Roller!



Do you have general field maintenance questions or suggestions?

Please save location-specific questions or concerns for after the meeting, you can follow up with us through email.



Next Steps

Next Steps

- **Meeting Summary**
 - Provide additional questions or comments on tonight's discussion through email to Susan Fall (susan.fall@toronto.ca) by April 19 for inclusion in the meeting summary.
 - Staff will provide a draft meeting summary after April 19 for your review.
- **Next Meeting: September/October**
 - Share and discuss the draft Cricket Strategy (*a confidential draft will be provided in advance of the meeting*)
- **New CRG members will be added over the summer.**
 - Focus: Adding members who have lived experience in, and can represent the voices of **women in cricket, youth in cricket, and accessible sport**.
 - Onboarding: Meetings with new members throughout the summer, to bring them up to speed and ask for input into the draft strategy.
- **Have a GREAT SUMMER!!!**



HAVE A NICE DAY

 **TORONTO** Parks & Recreation