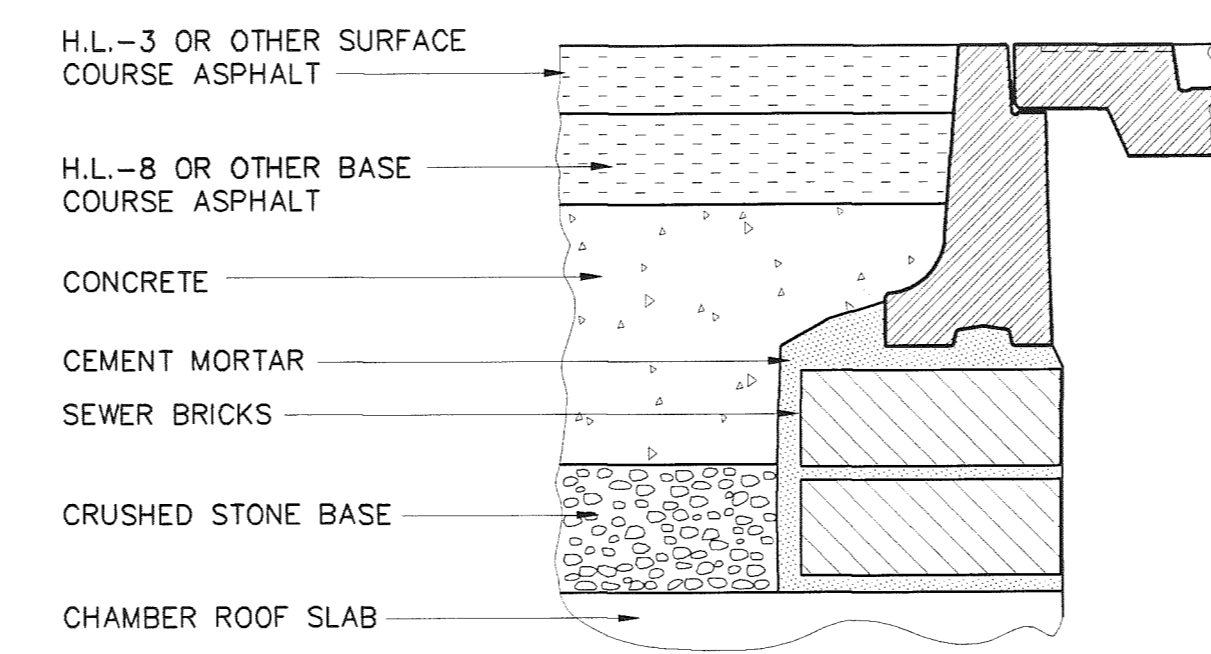
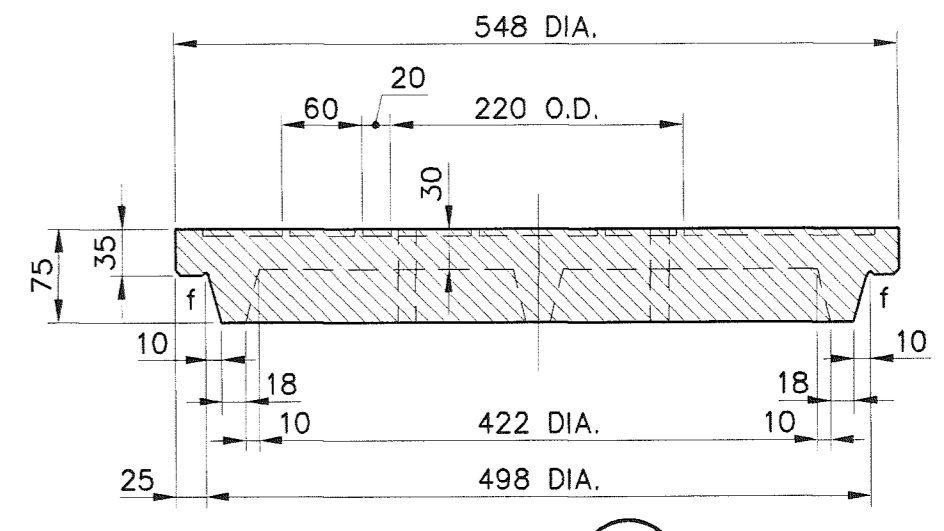
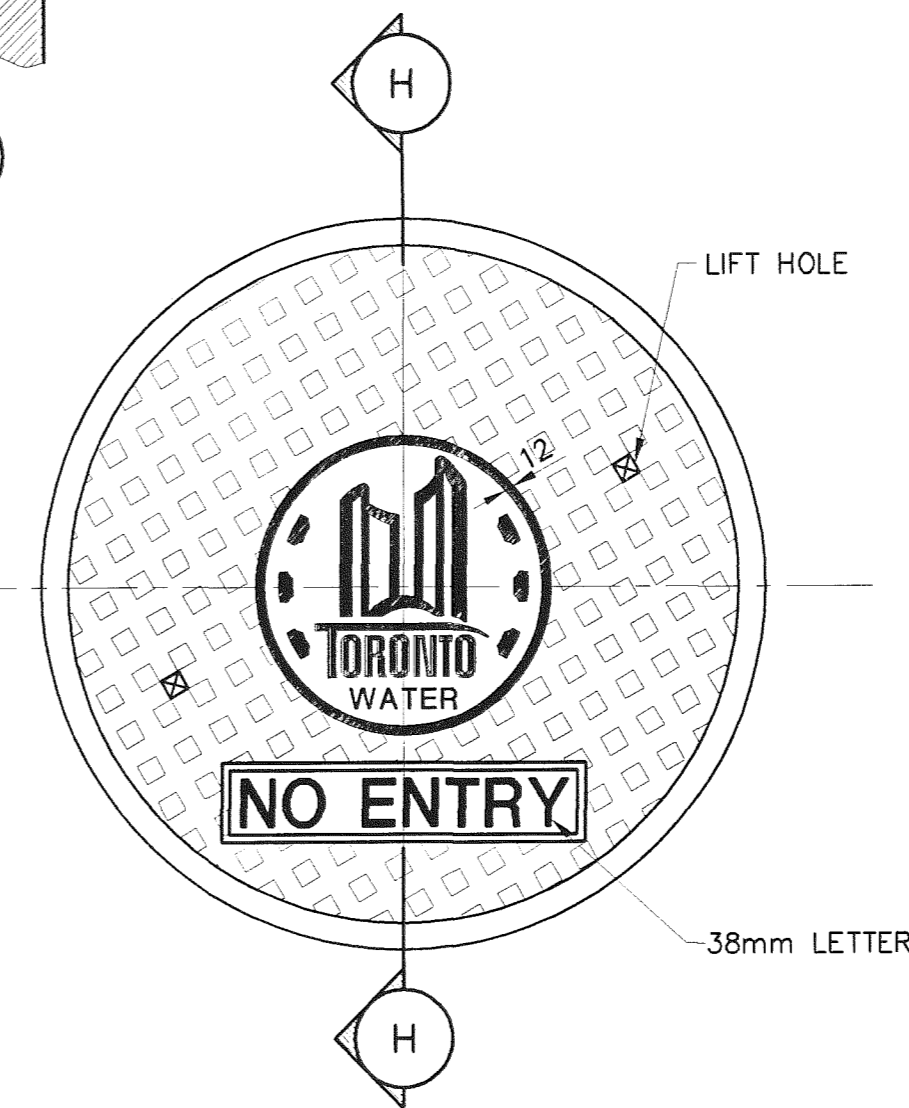
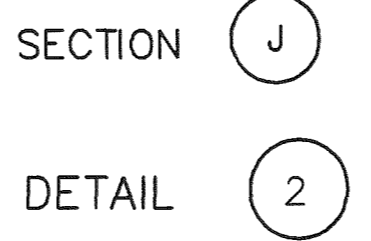
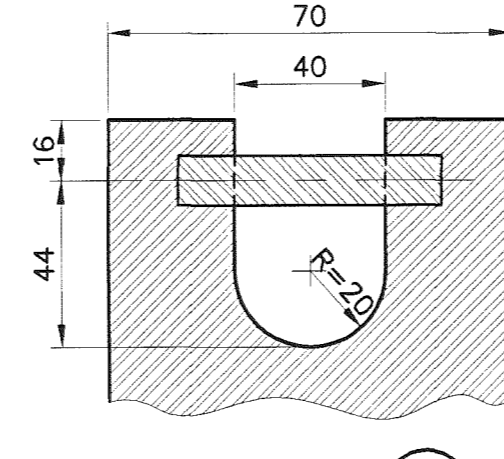
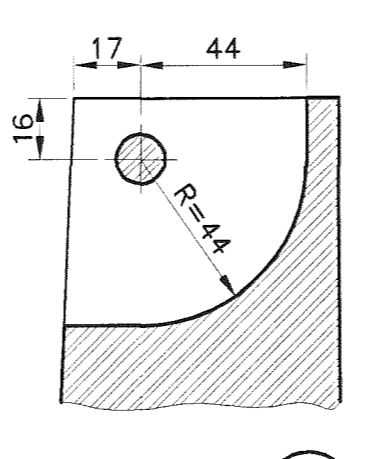
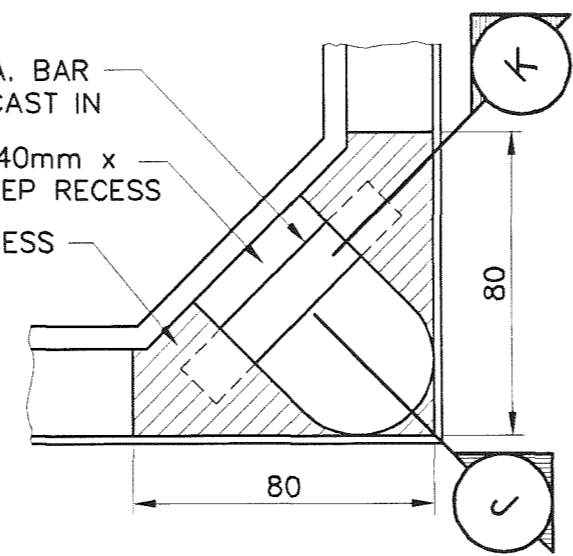
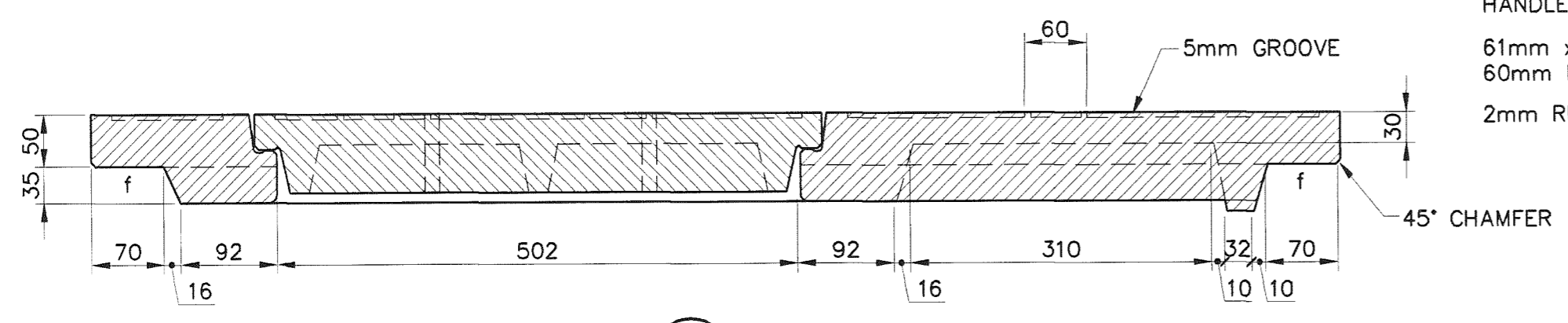
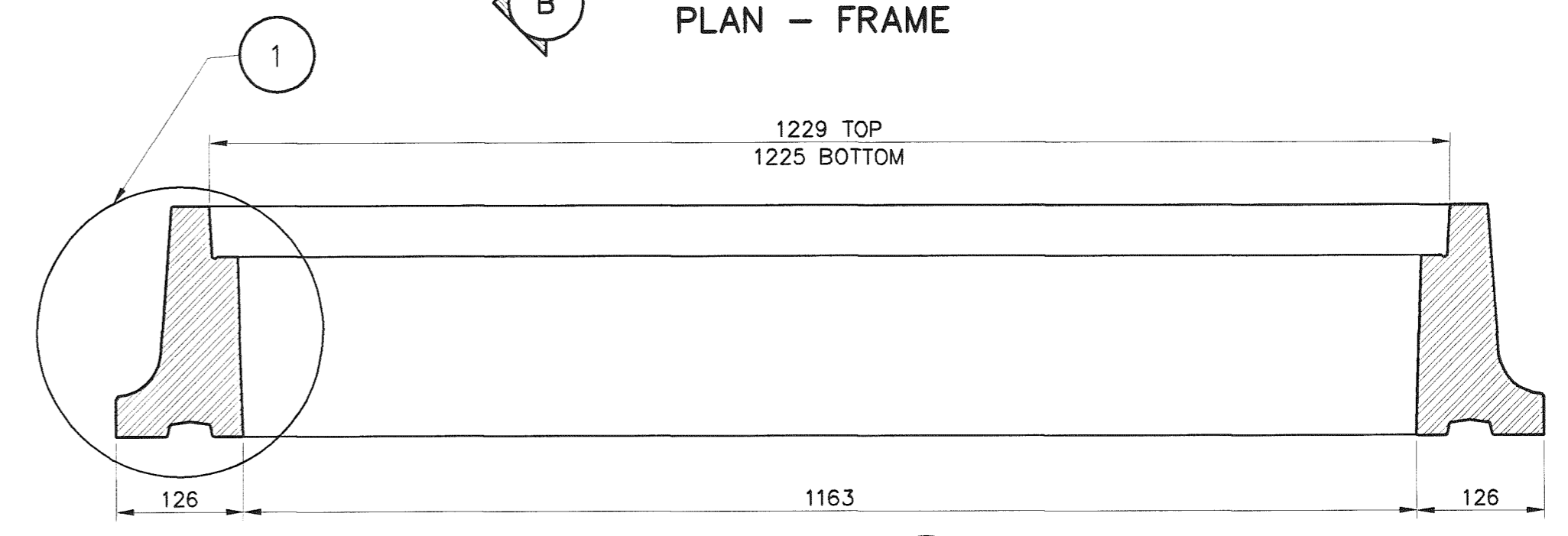
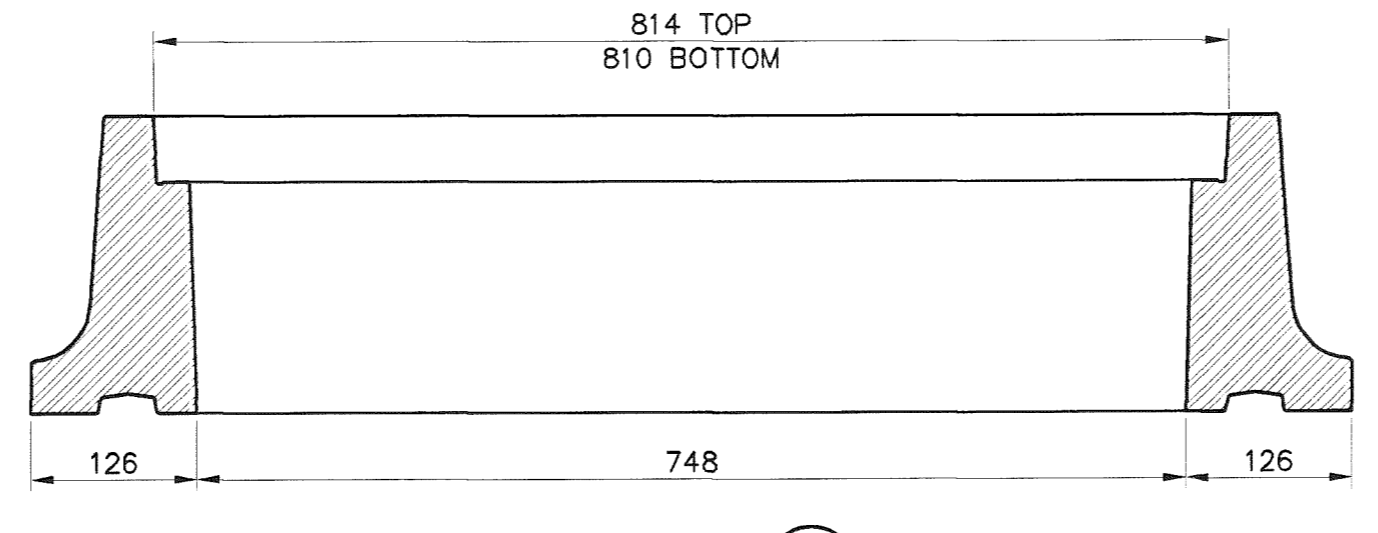
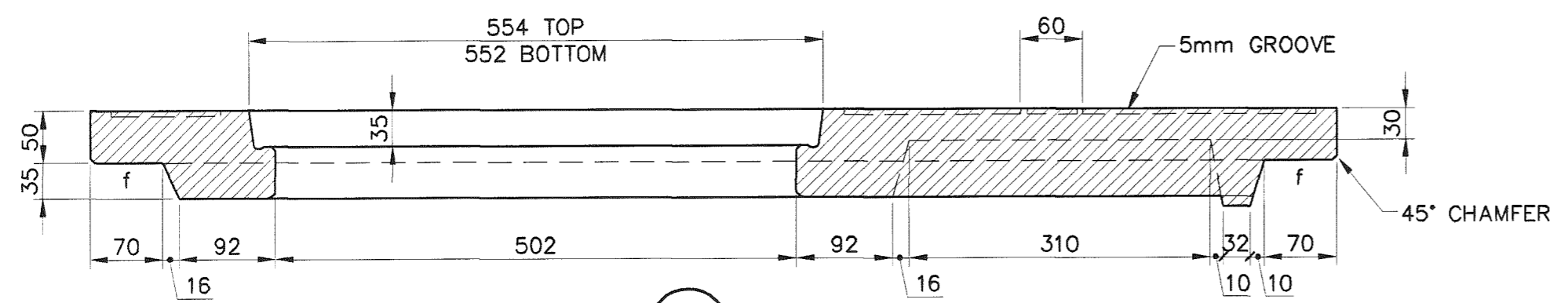
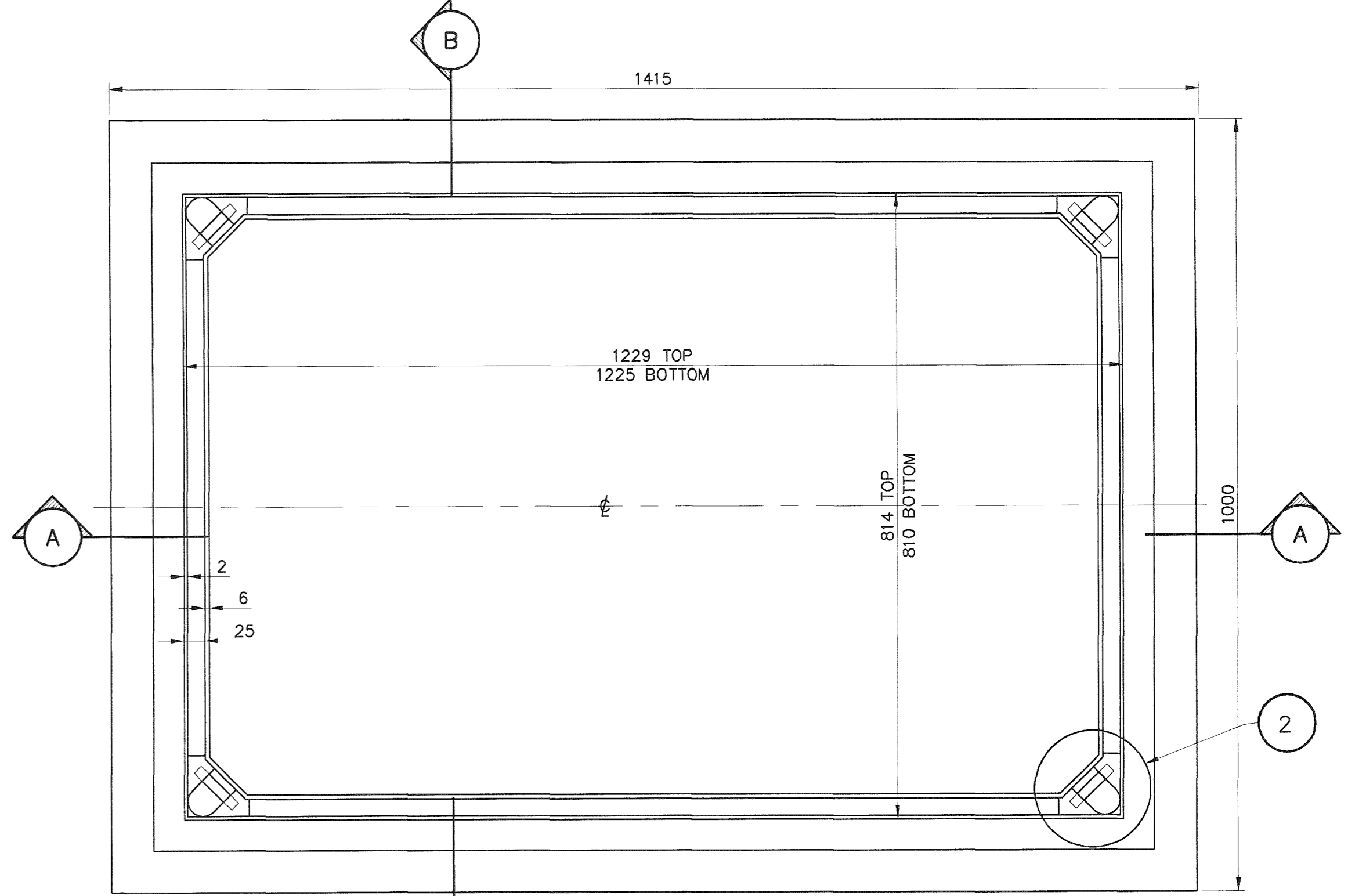
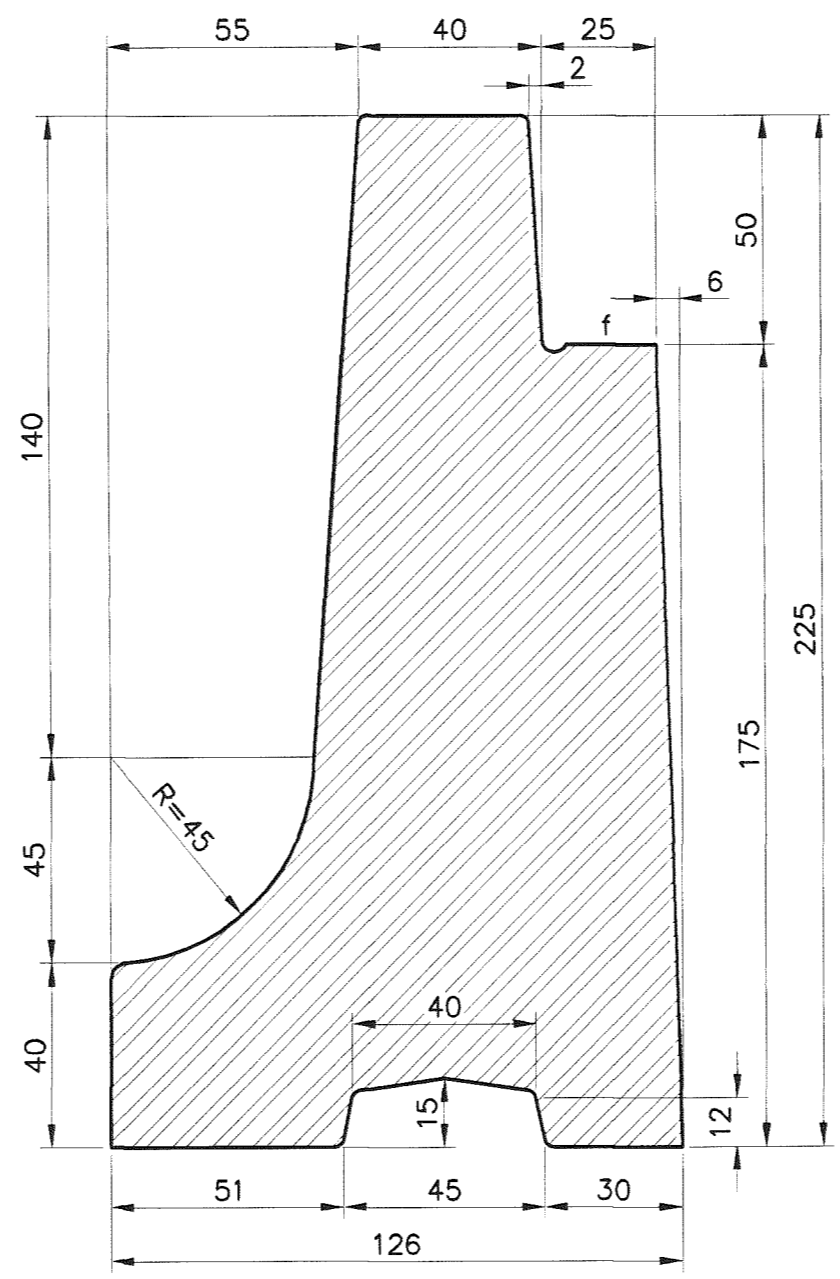
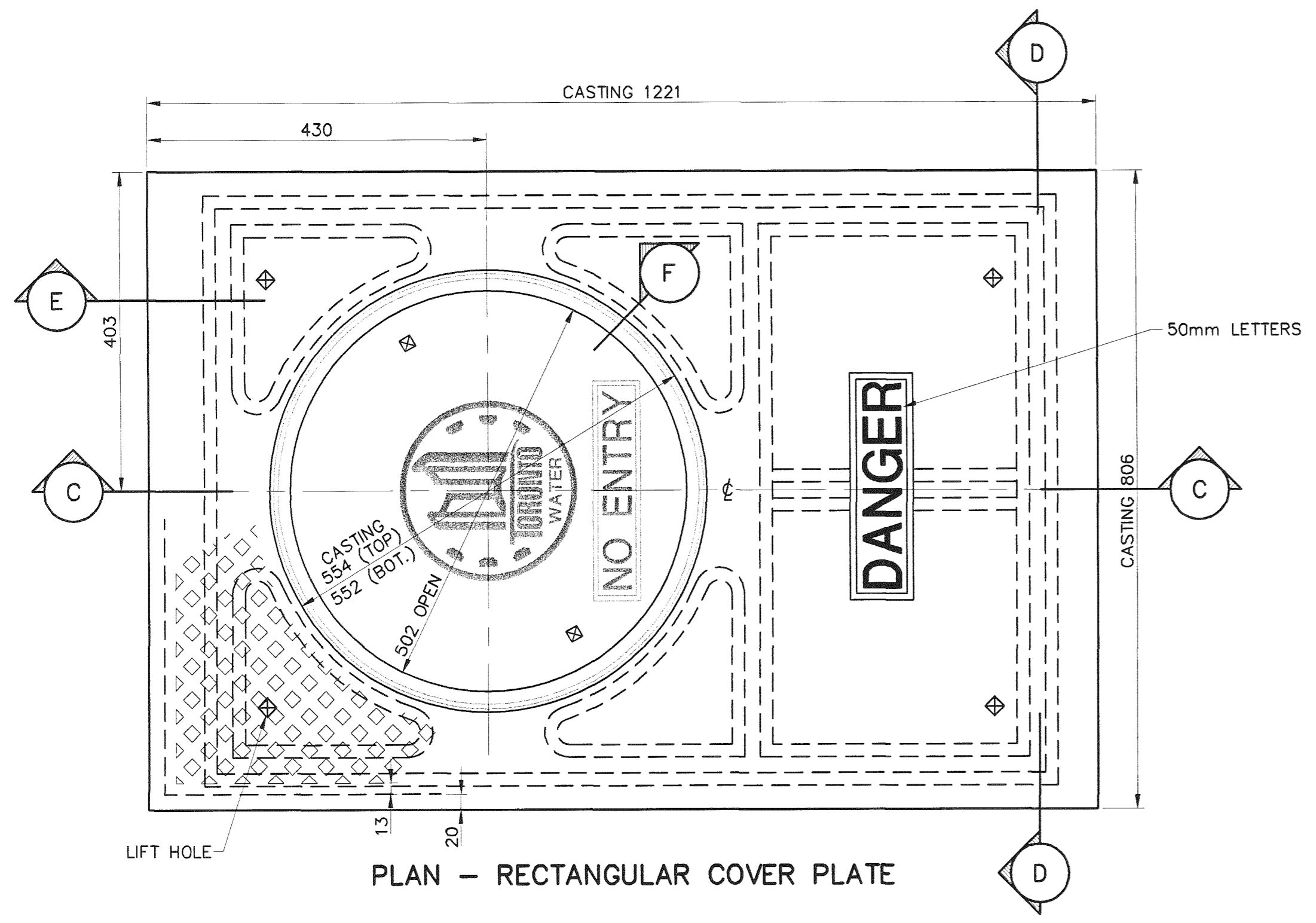


ALL DIMENSIONS SHOWN HERE ARE IN MILLIMETRES UNLESS OTHERWISE NOTED

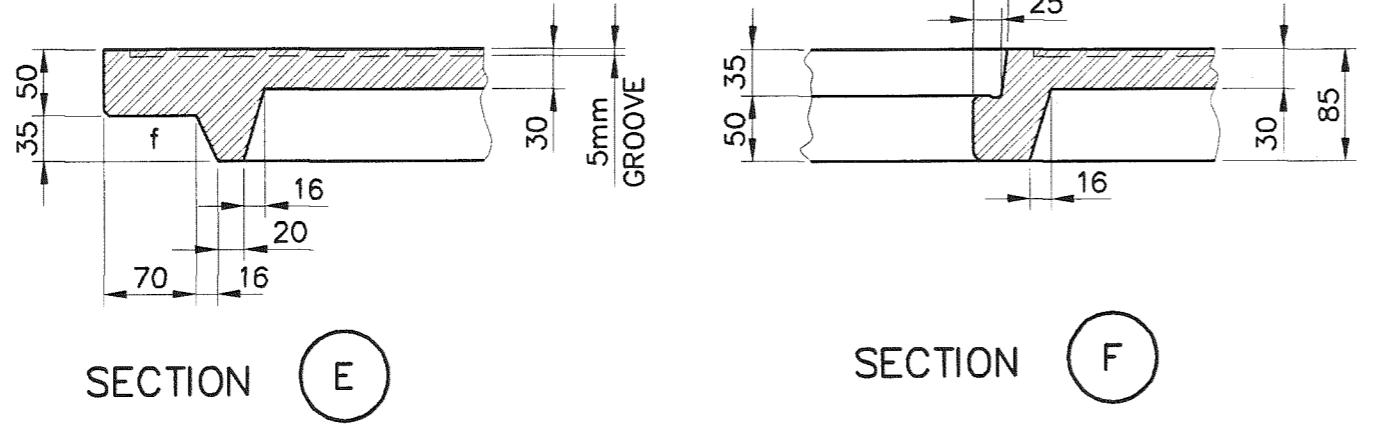


- NOTES:
- ALL SURFACES MARKED 1 TO BE MACHINED.
 - BEARING SURFACES TOLERANCES $\pm 0.2\text{mm}$
 - MARKING LETTERS ARE TO BE DISTINCTLY CAST IN RAISED SHARPFACE GOTHIC LETTERS IN THE POSITION SHOWN.
 - RECTANGULAR AND CIRCULAR COVERS ARE IDENTICAL TO THAT OF THE TORONTO SHALLOW 120mm FRAME UNIT.

THIS DRAWING SUPERSEDES THE DRAWING 3000-STD-100 SHT. 1 DATED MAY 1999

THIS DESIGN MEETS THE REQUIREMENTS OF THE CITY OF TORONTO, CORPORATE IDENTITY PROGRAMME.

APPROVED BY: VALERIE CHAVOSSY
DIRECTOR OF CORPORATE COMMUNICATIONS



WATER TREATMENT & SUPPLY					TECHNICAL SERVICES Engineering Services - Works Facilities & Structures		WATER TREATMENT & SUPPLY STANDARD 225mm FRAME 3 - PIECE CHAMBER COVER			
	TONY PAGNANELLI, P. ENG. DIRECTOR, ENGINEERING SERVICES WORKS FACILITIES AND STRUCTURES		WILLIAM G. CROWTHER, P. ENG. EXECUTIVE DIRECTOR TECHNICAL SERVICES		MANAGER, PLANT AND FACILITIES DESIGN AND CONSTRUCTION		FOR ALL NORMAL DEEPER PAVEMENT COVER LOCATIONS			
DESIGN: H. LI		DRAFTING: E.SHA		CHECK: C. ZOLCINSKI		CONTRACT No.				
SCALE: NOT TO SCALE		DATE: JULY 14, 2005		DRAWING NUMBER: 3000-2005-1		SHEET No. 1				