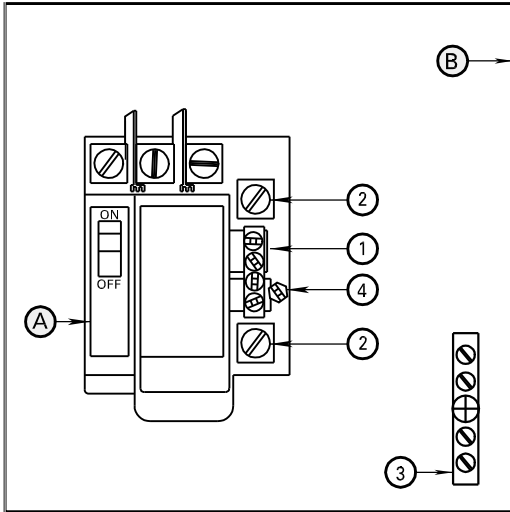
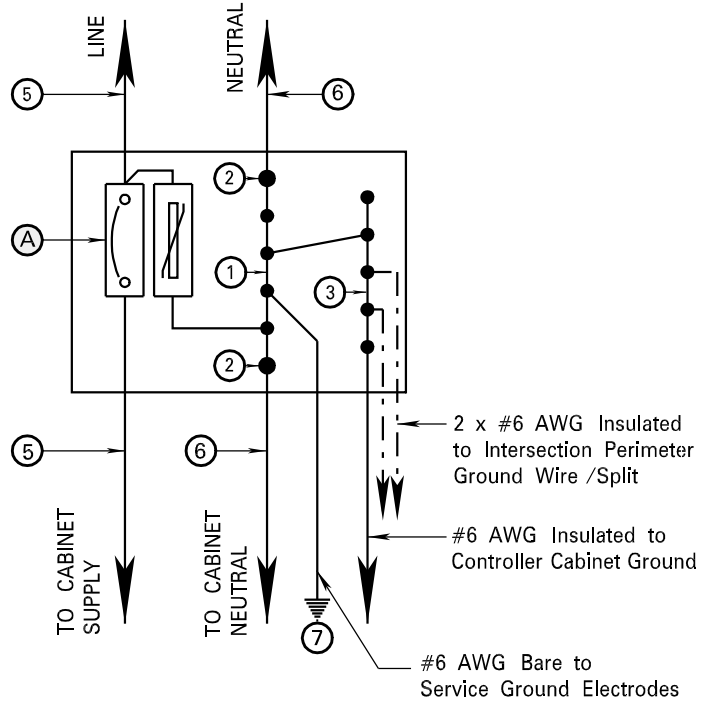


EQUIPMENT LAYOUT



SCHEMATIC from Utility Supply



ELECTRICAL EQUIPMENT LIST AND TABLES

- ① Solid neutral bus
- ② Neutral bus termination lugs
- ③ Equipment ground bus
- ④ Box bonding screw
- ⑤ Black #8 AWG Cu Stranded Conductor wire
- ⑥ White #8 AWG Cu Stranded Conductor wire
- ⑦ Grounding Grid

LEGEND

- Denotes terminal connection
- - - Denotes field wiring (sizes are indicated elsewhere within the contract drawings)

	Part	Traffic Signals	PXO's and Flashing Becons
(A)	Main circuit breaker	120V, 30A, 1 pole	120V, 15A, 1 pole
(B)	Weatherproof Load Centre	Square `D` Part No. QO403L100RD	Square `D` Part No. QO403L100RD