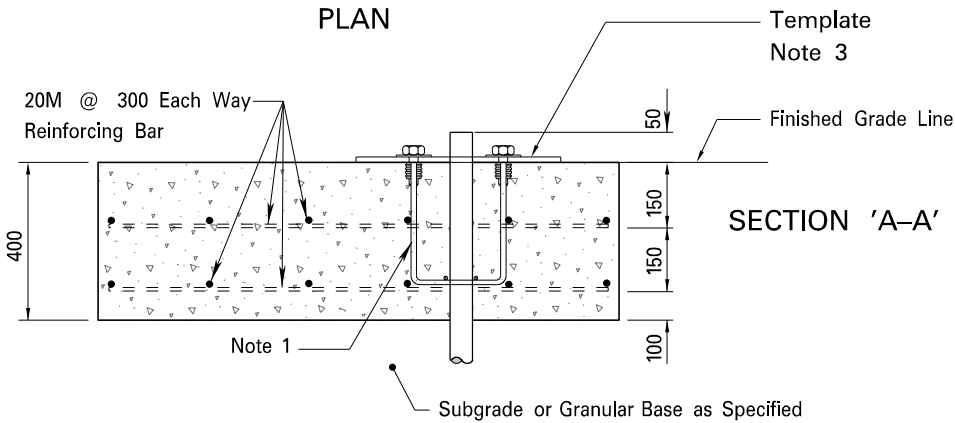


PLAN



**NOTES**

1. For anchor assembly and template details, see standard TTD 807.017. For base mounting details, see standards TTD 810.003.
2. For number of Ducts, diameter and orientation installed in base, see layout drawings.
3. Anchor assembly to be set with aid of template (supplied with anchor).
4. For Pole location see layout drawings. Minimum Edge distance from any footing edge to pole center line shall not be less than 500 mm.

Dimensions are in millimetres or metres, unless otherwise shown.



**ANCHOR ASSEMBLY FOR BASE MOUNTED  
PUSH BUTTON POLE IN  
REINFORCED SIDEWALK BAY**

SCALE  
NOT TO SCALE

REVISION DATE  
SEPTEMBER, 2023

Traffic Plant Installation and Maintenance

APPROVED BY:  
Y. M.

DRAWN BY:  
A. S.

PLAN No.  
**807.013**