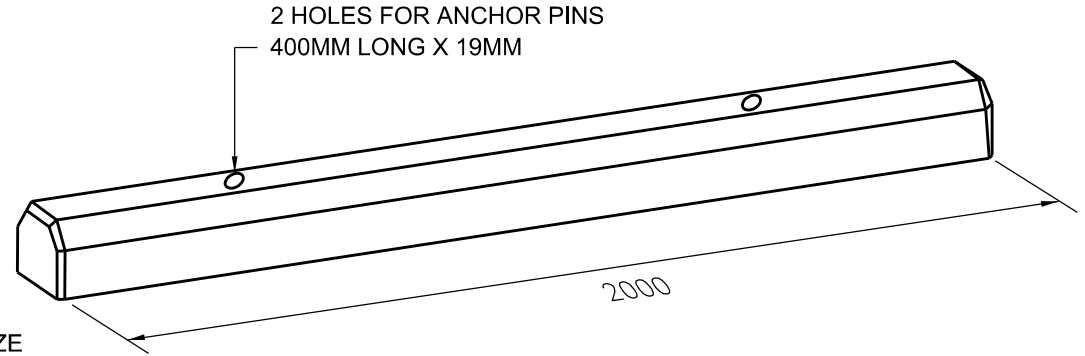
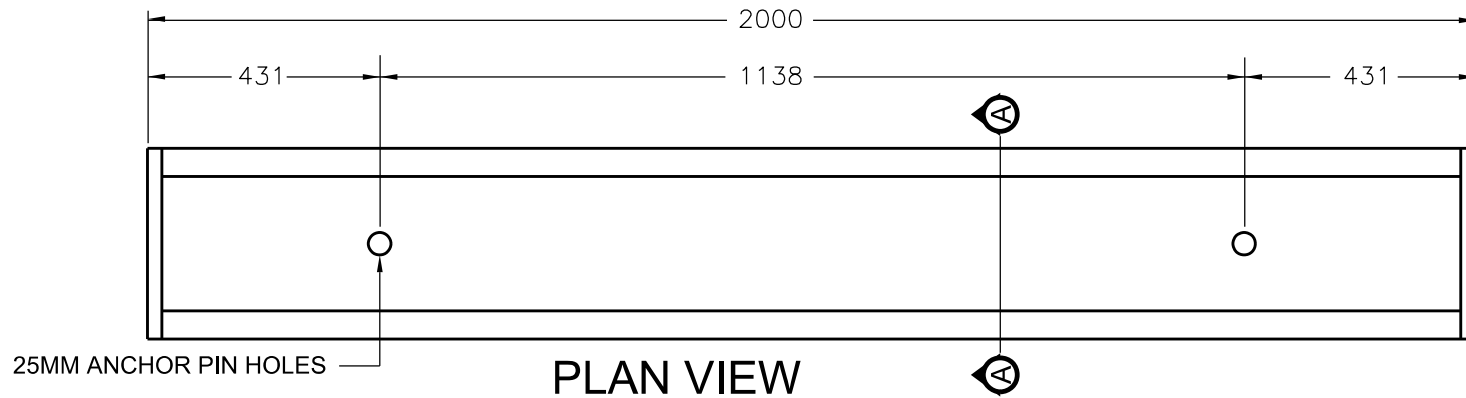


SECTION A-A



ISOMETRIC VIEW



PLAN VIEW

- NOTES:
1. CLASS OF CONCRETE SHALL BE C2 ACCORDING TO CSA A23.1.
  2. 15M REBAR MUST BE PLACED WITHIN BOTTOM 1/3 OF CURB. NO REBAR TO BE PLACED WITHIN 2/3 OF CURB TO FACILITATE BOLLARD INSTALLATION.

All dimensions are in millimetres unless otherwise shown.



ENGINEERING & CONSTRUCTION SERVICES STANDARD DRAWING

**PRECAST CONCRETE CURB  
FOR BICYCLE LANES**

REV 0 SEP 2021

**T-603.030**

NTS SHEET 1